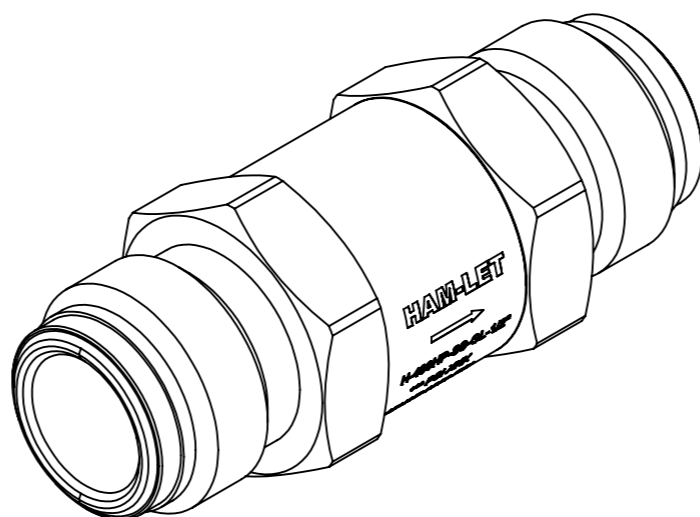
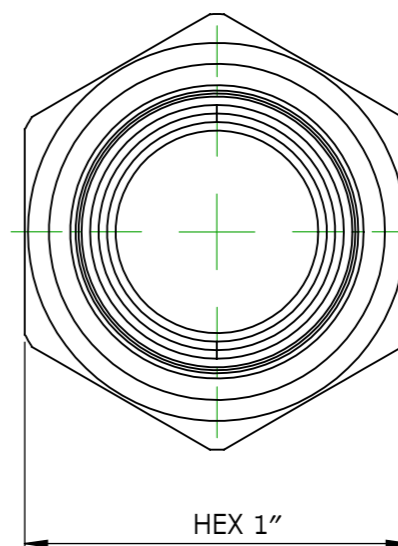
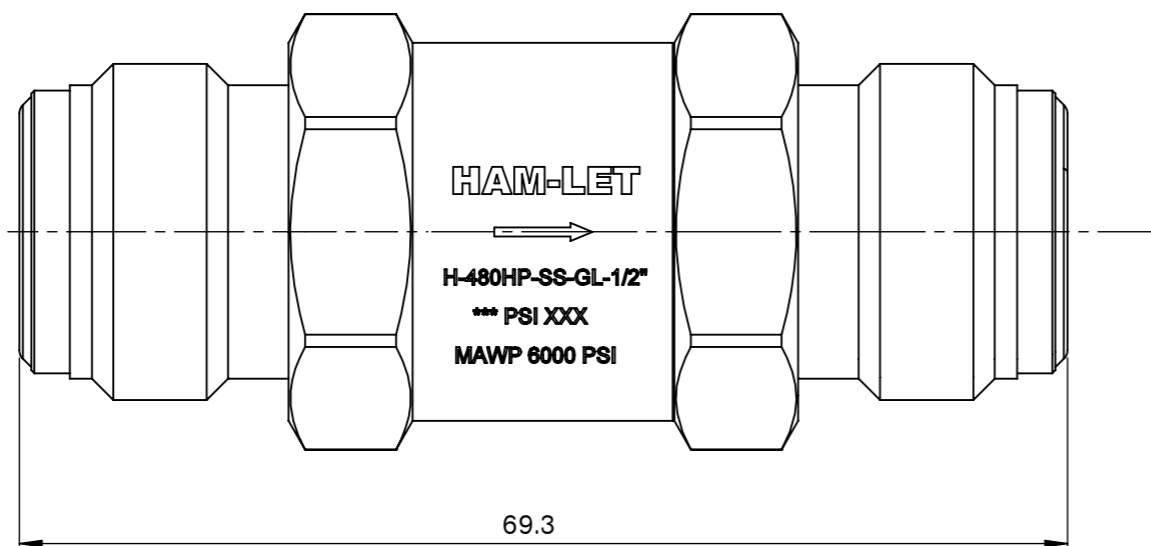
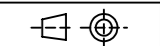


THIS DRAWING AND INFORMATION INCLUDED, ARE THE CONFIDENTIAL PROPERTY OF HAM-LET LTD AND ARE LOANED TO YOU FOR A LIMITED PURPOSE. NEITHER BE COPIED EXHIBED OR FURNISHED TO OTHERS IN ANY FORM WITHOUT THE WRITTEN CONSENT OF HAM-LET LTD.




| TECHNICAL DATA |                |
|----------------|----------------|
| MAWP           | 6000PSI @ 70°F |
|                | 414BAR @ 21°C  |
| MAWT           | 400°F @ 100PSI |
|                | 204°C @ 6.9BAR |

FIRST ANGLE PROJECTION



### CUSTOMER APPROVAL

Company: \_\_\_\_\_  
 Name : \_\_\_\_\_  
 Position : \_\_\_\_\_  
 Signature : \_\_\_\_\_  
 Date : \_\_\_\_\_

|   |                 |                                       |
|---|-----------------|---------------------------------------|
|  HAM-LET GROUP P.O.BOX 824<br>Nazareth Illit, 17000 Israel<br>mail@ham-let.co.il |                 |                                       |
| Approvals   |                 | Prod. Name: <b>CUSTOMER DRAWING</b>   |
| Drawn   | Engineering     | Description: <b>H-480HP-SS-GL-1/2</b> |
| Name: V.S.  | Name: B.M.      | Part No:                              |
| Sign:   | Sign:           | Not for scale                         |
| Date: 1/13/2010   | Date: 1/13/2010 | Rev: Draft                            |
|   |                 | Sheet 1 OF 1                          |