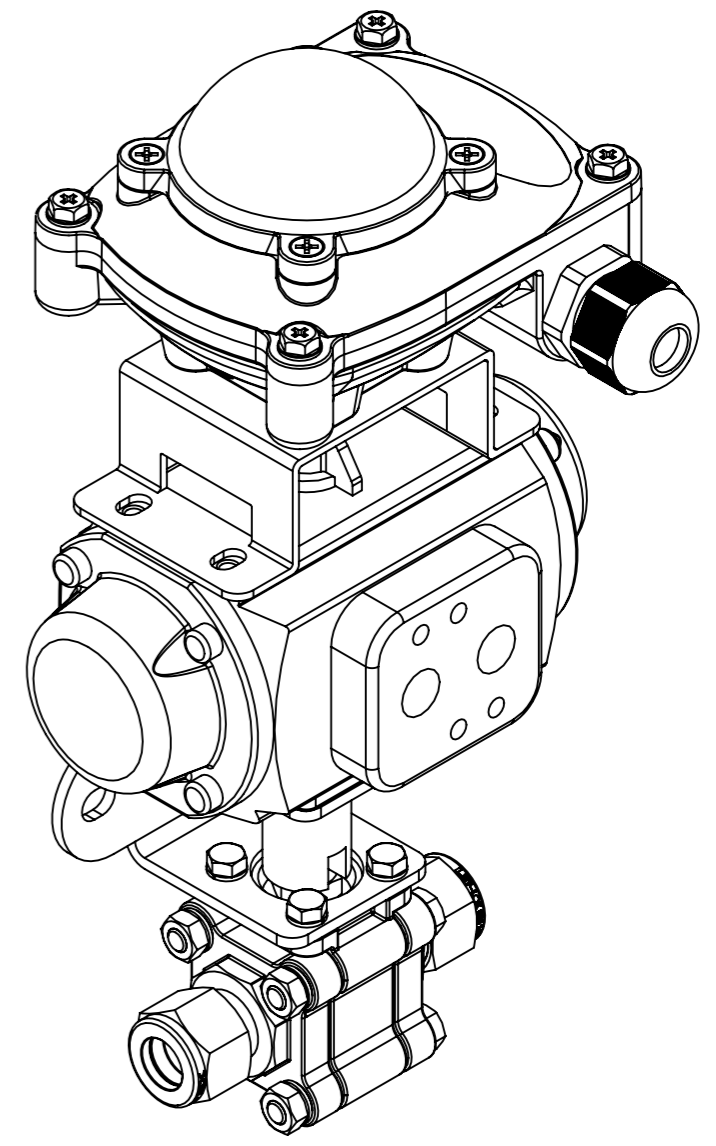
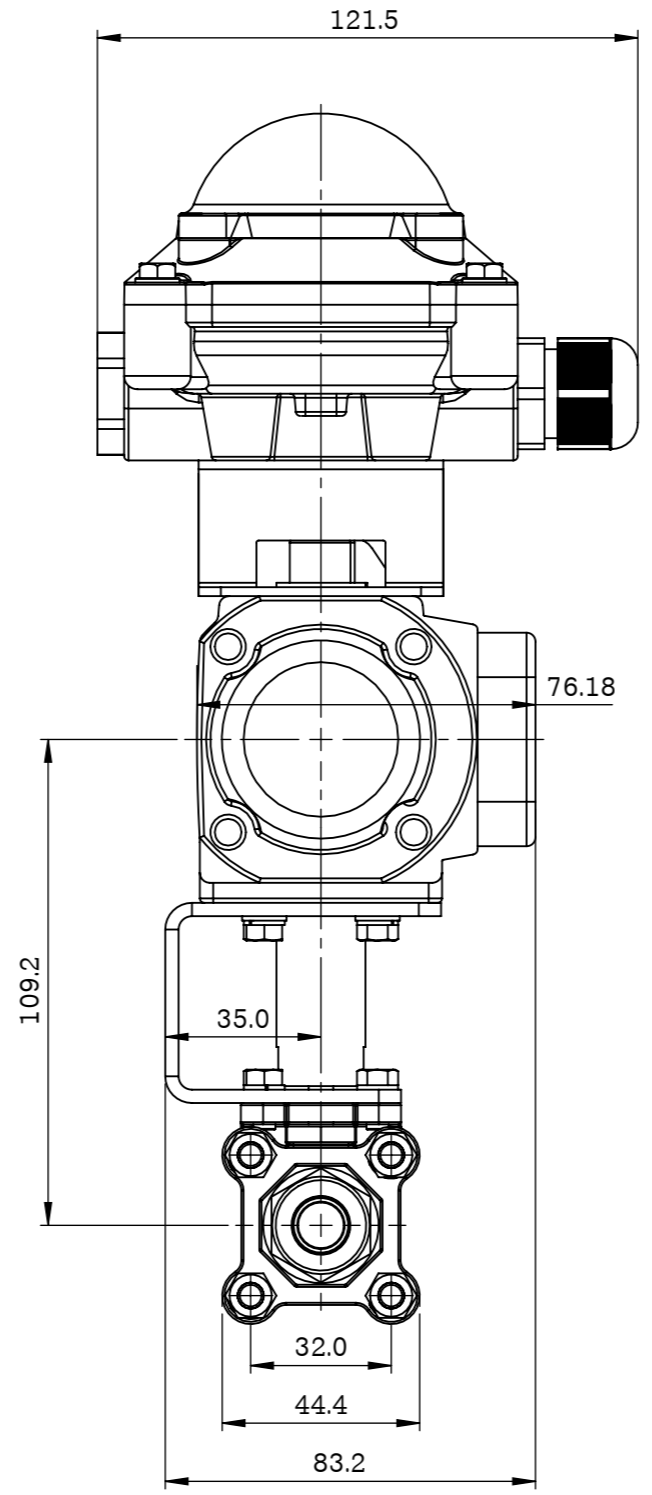
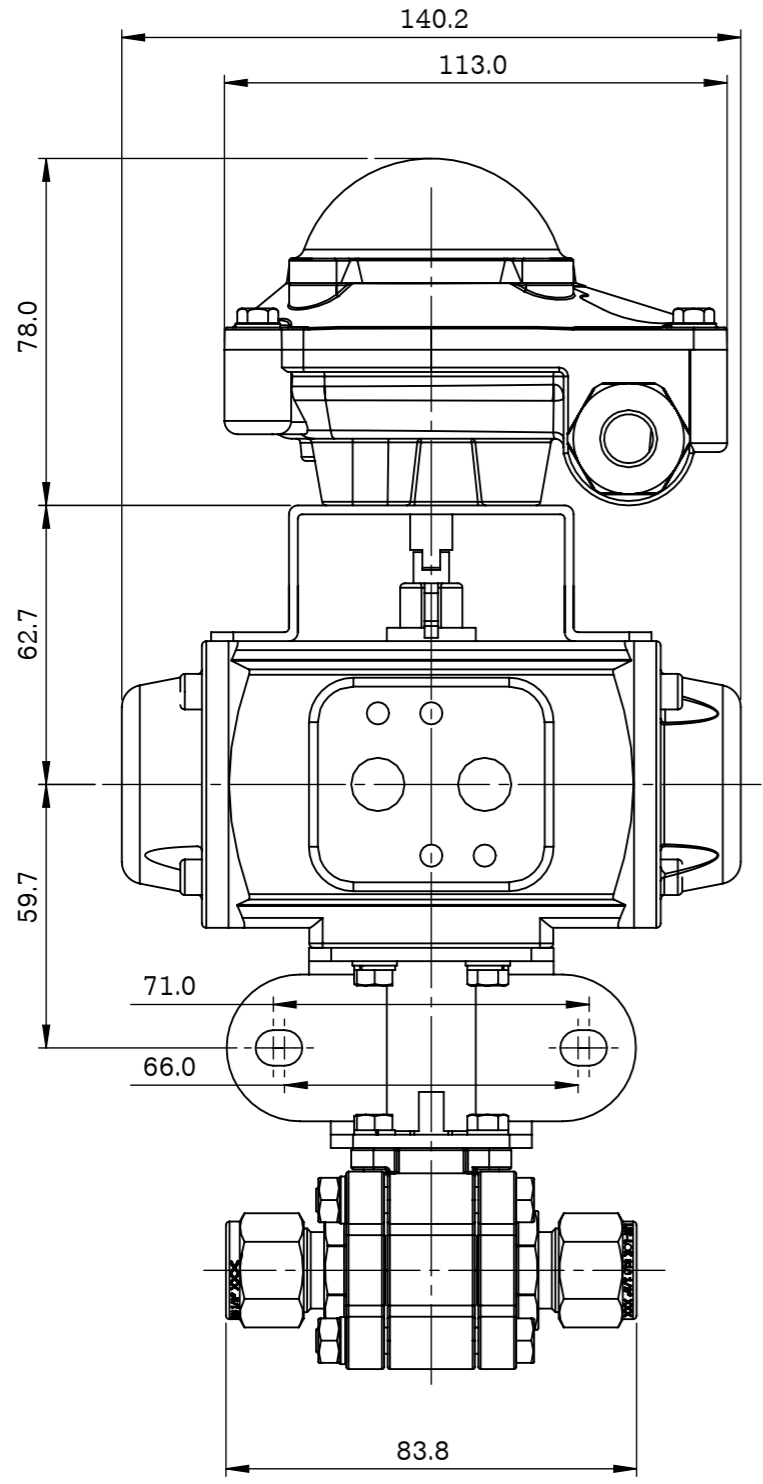



THIS DRAWING AND INFORMATION INCLUDED, ARE THE CONFIDENTIAL PROPERTY OF HAM-LET LTD AND ARE LOANED TO YOU FOR A LIMITED PURPOSE. NEITHER BE COPIED EXHIBITED OR FURNISHED TO OTHERS IN ANY FORM WITHOUT THE WRITTEN CONSENT OF HAM-LET LTD.



CUSTOMER APPROVAL

Company: _____
 Name : _____
 Position : _____
 Signature : _____
 Date : _____

FIRST ANGLE PROJECTION

 HAM-LET Advanced Control Technology		HAM-LET GROUP P.O.BOX 824 Nazareth Illit, 17000 Israel mail@ham-let.co.il	
Approvals		Prod. Name: CUSTOMER DRAWING	
Drawn	Engineering	Description:	
Name: V.S.	Name: B.M.	H-500-SS-L-10MM-A2CLSM	
Sign:	Sign:	Part No:	
Date: 20/04/11	Date: 20/04/11	Not for scale	Rev: Draft
			Sheet 1 OF 1