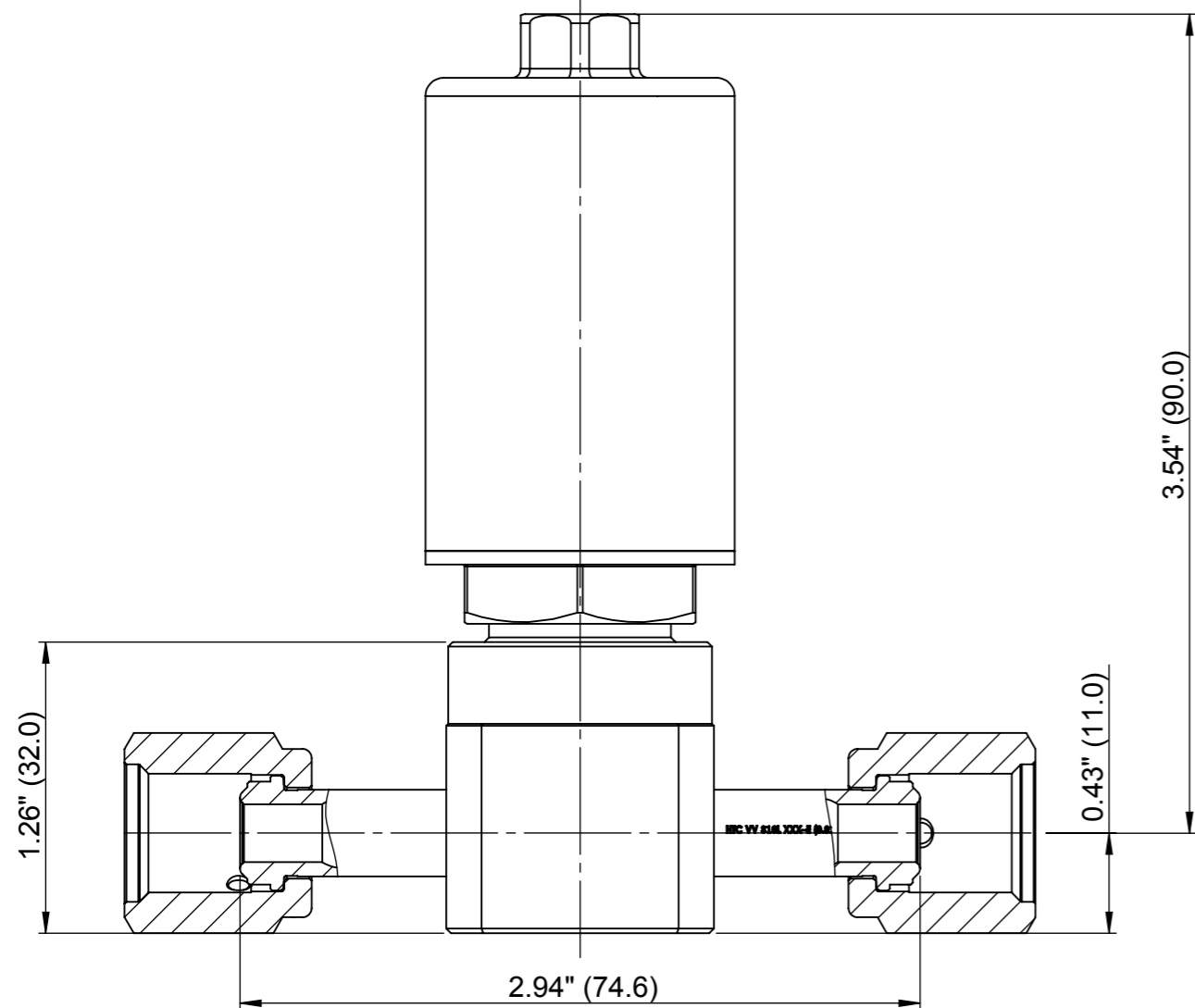
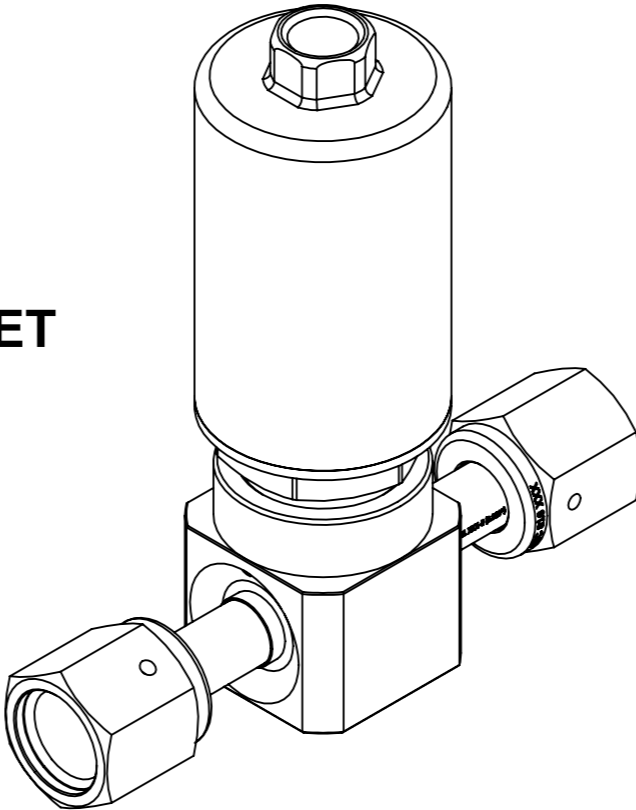
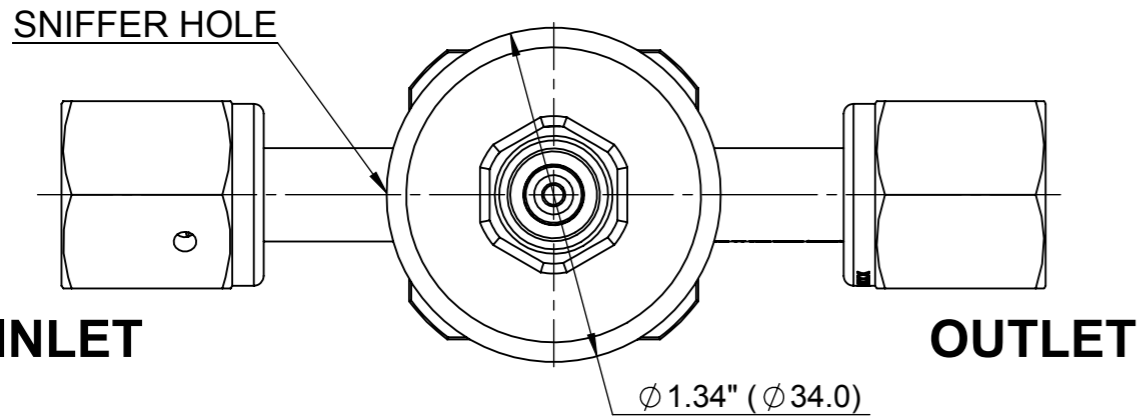
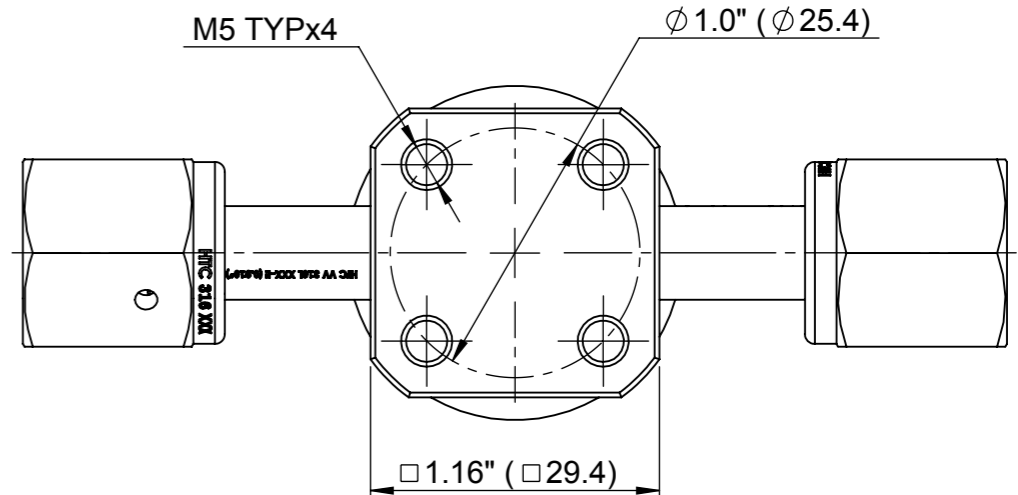


THIS DRAWING AND INFORMATION INCLUDED, ARE THE CONFIDENTIAL PROPERTY OF HAM-LET LTD AND ARE LOANED TO YOU FOR A LIMITED PURPOSE. NEITHER BE COPIED EXHIBED OR FURNISHED TO OTHERS IN ANY FORM WITHOUT THE WRITTEN CONSENT OF HAM-LET LTD.



VALVE TECHNICAL SPECIFICATION	
VALVE SIZE	1/4 INCH
END CONNECTION	SWIVEL FEMALE FACE-SEAL 1/4"
OPERATING WORKING PRESSURE	VACUUM TO 300 PSI (20.6 BAR)
OPERATING TEMPERATURE	14 TO 140 °F (-10 TO 60 °C)
HE LEAKAGE (INBOARD)	3×10^{-11} ATM CC/ SEC(He)
HE LEAKAGE (ACROSS SEAT)	1×10^{-9} ATM CC/ SEC(He)
OPERATED	PNEUMATIC NORMALLY CLOSED (N.C.)
Cv VALUE	0.3
SURFACE FINISH Ra (Ave)	5 µinch
VALVE TYPE AND DESIGNATOR	TWO PORT, DESIGNATOR 0
VALVE ASSEMBLED AND TESTED	CLEAN ROOM CLASS 10
AIR CONNECTION	1/8" NPT
ACTUATOR AIR SUPPLY PRESSURE	60 TO 90 PSI (4 TO 6 BAR)



CUSTOMER APPROVAL

Company: _____
 Name : _____
 Position : _____
 Signature : _____
 Date : _____

HAM-LET Advanced Control Technology		HAM-LET GROUP P.O.BOX 824 Nazareth Illit, 17000 Israel mail@ham-let.co.il	
		Prod. Name: CUSTOMER DRAWING	
Approvals		Description: HM20-4VKC-GF4-HF	
Drawn Name: S.S.	Engineering Name: B.M.	Part No:	
Sign: Date: 09/07/2012	Sign: Date: 09/07/2012	Not for scale	Rev: Draft Sheet 1 OF 1