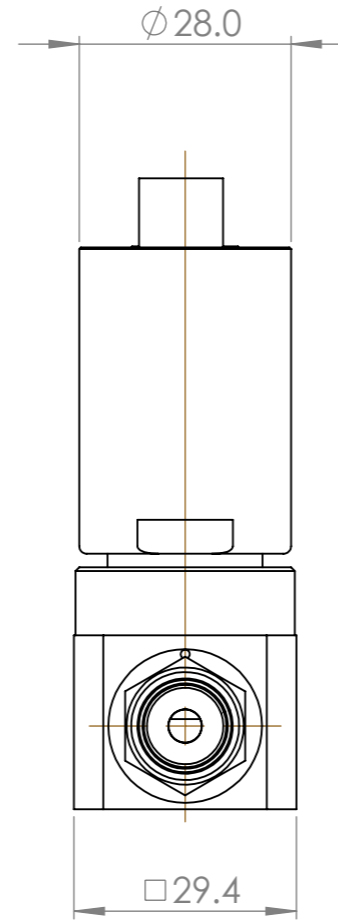
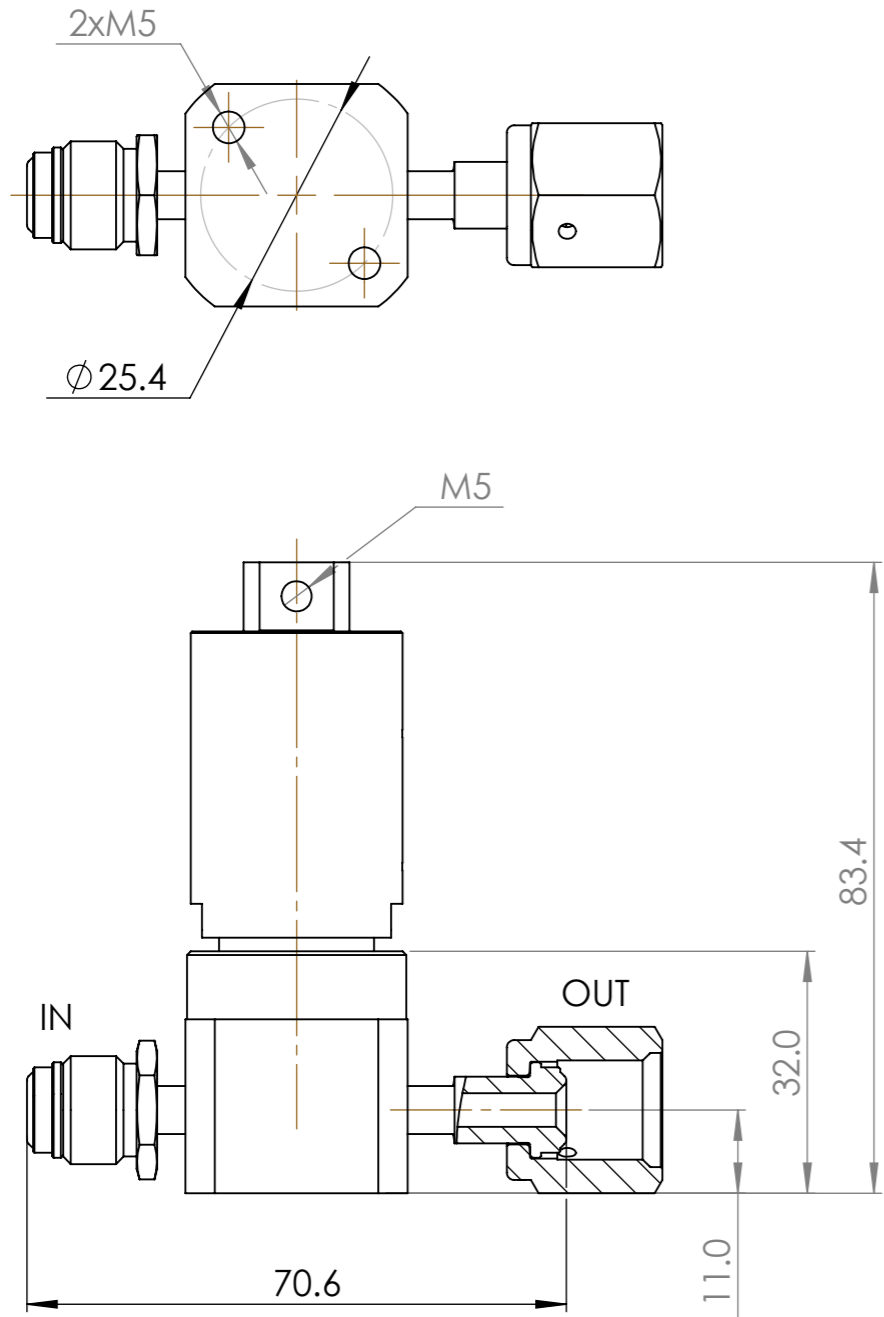
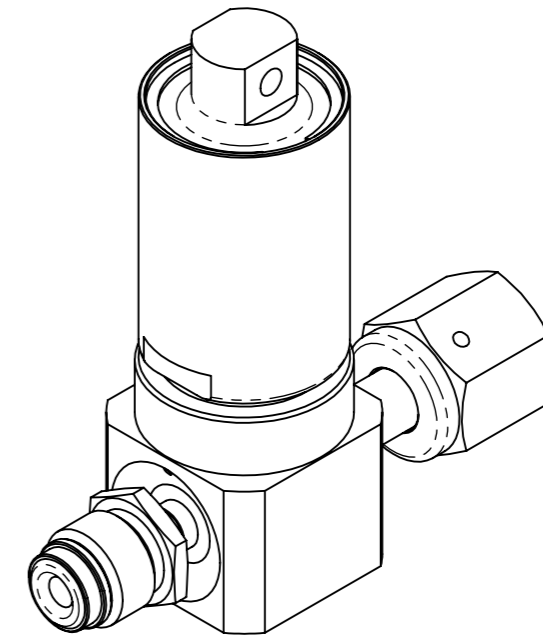


THIS DRAWING AND INFORMATION INCLUDED, ARE THE CONFIDENTIAL PROPERTY OF HAM-LET LTD AND ARE LOANED TO YOU FOR A LIMITED PURPOSE. NEITHER BE COPIED EXHIBITED OR FURNISHED TO OTHERS IN ANY FORM WITHOUT THE WRITTEN CONSENT OF HAM-LET LTD.



| VALVE TECHNICAL SPECIFICATION | |
|-------------------------------|---|
| VALVE SIZE | 1/4 INCH |
| END CONNECTION | SWIVEL MALE & FEMALE FACE SEAL 1/4" |
| OPERATING WORKING PRESSURE | VACUUM TO 150 PSI (10 BAR) |
| OPERATING TEMPERATURE | 14 TO 140 °F (-10 TO 60 °C) |
| HE LEAKAGE (INBOARD) | 3×10^{-11} ATM CC/ SEC (He) |
| HE LEAKAGE (ACROSS SEAT) | 1×10^{-9} ATM CC/ SEC (He) |
| OPERATED | PNEUMATIC NORMALLY CLOSED (N.C.) |
| Cv VALUE | 0.3 |
| SURFACE FINISH Ra (Ave) | 5 μinch |
| VALVE TYPE AND DESIGNATOR | TWO PORT, DESIGNATOR 0 |
| VALVE ASSEMBLED AND TESTED | CLEAN ROOM CLASS 10 |
| AIR CONNECTION | M5 |
| ACTUATOR AIR SUPPLY PRESSURE | 60 TO 90 PSI (4 TO 6 BAR) |



FIRST ANGLE PROJECTION

CUSTOMER APPROVAL

Company: _____
 Name : _____
 Position : _____
 Signature : _____
 Date : _____

| | | | |
|-------------------|------------------|---|------------|
| | | HAM-LET GROUP P.O.BOX 824 Nazareth Illit, 17000 Israel mail@ham-let.co.il | |
| Approvals | | Prod. Name: CUSTOMER DRAWING | |
| Drawn | Engineering | Description: | |
| Name: Victoria S. | Name: Felix Sh. | HM20-4VKLC(M5)-GM4GF4 | |
| Sign: | Sign: | Part No: | |
| Date: 13/12/2007 | Date: 13/12/2007 | Not for scale | Rev: Draft |
| | | Sheet 1 OF 1 | |