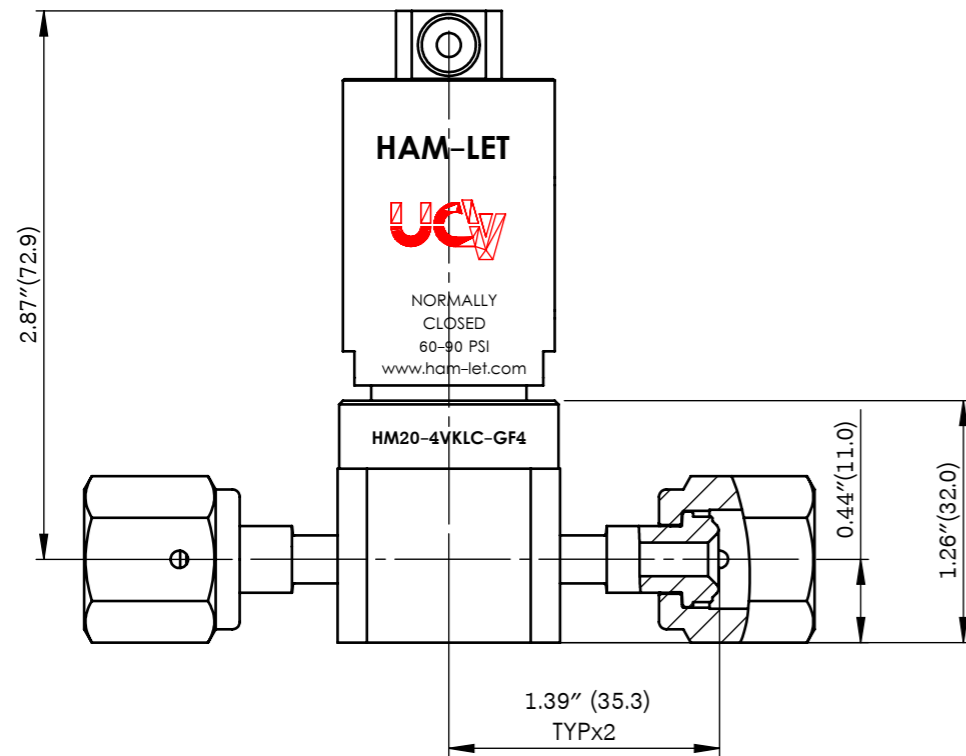


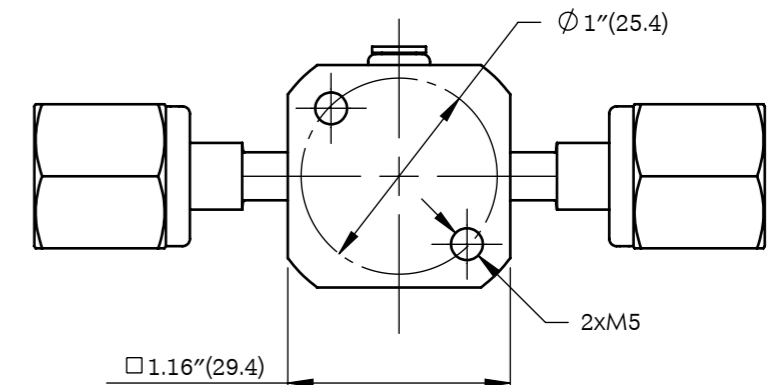
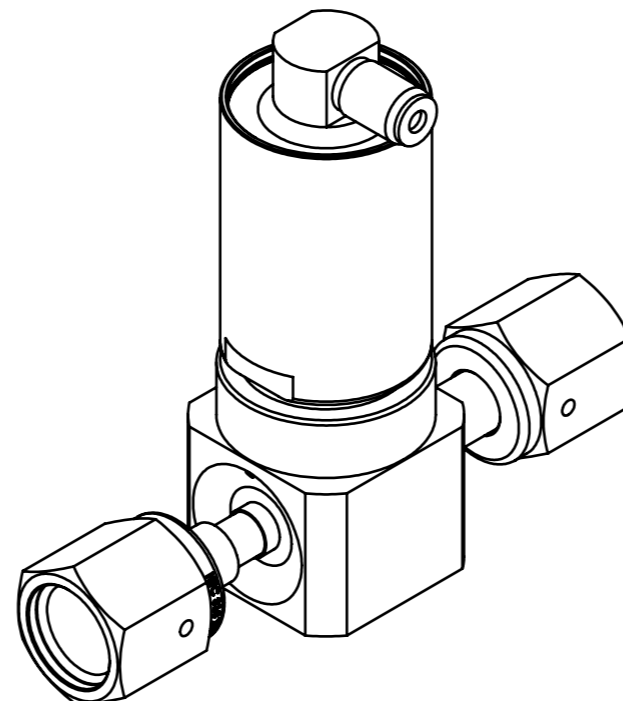
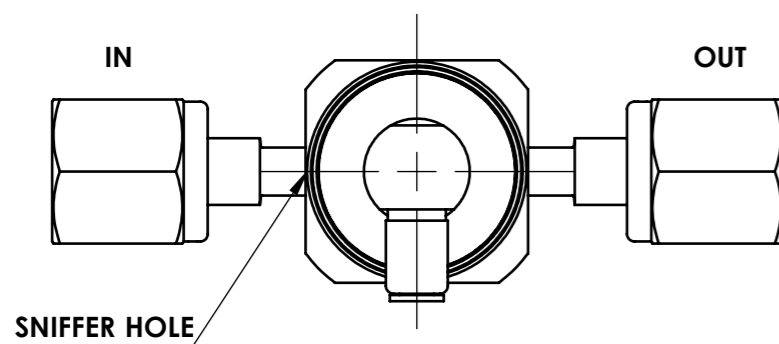
THIS DRAWING AND INFORMATION INCLUDED, ARE THE CONFIDENTIAL PROPERTY OF HAM-LET LTD AND ARE LOANED TO YOU FOR A LIMITED PURPOSE. NEITHER BE COPIED EXHIBITED OR FURNISHED TO OTHERS IN ANY FORM WITHOUT THE WRITTEN CONSENT OF HAM-LET LTD.

REVISIONS			
REV.	DESCRIPTION	DATE	APPROVED

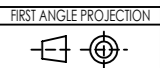
FLOW DIRECTION 



VALVE TECHNICAL SPECIFICATION	
VALVE SIZE	1/4 INCH
END CONNECTION	SWIVEL FEMALE FACE SEAL 1/4"
OPERATING WORKING PRESSURE	VACUUM TO 150 PSI (10 BAR)
OPERATING TEMPERATURE	14 TO 140 °F (-10 TO 60 °C)
HE LEAKAGE (INBOARD)	3×10^{-11} ATM CC/ SEC (He)
HE LEAKAGE (ACROSS SEAT)	1×10^{-9} ATM CC/ SEC (He)
OPERATED	PNEUMATIC NORMALLY CLOSED (N.C.)
Cv VALUE	0.3
SURFACE FINISH Ra (Ave)	5 μinch
VALVE TYPE AND DESIGNATOR	TWO PORT, DESIGNATOR 0
VALVE ASSEMBLED AND TESTED	CLEAN ROOM CLASS 10
AIR CONNECTION	1/8" TUBE PORT / 10-32 UNF
ACTUATOR AIR SUPPLY PRESSURE	60 TO 90 PSI (4 TO 6 BAR)




PANEL MOUNTING STANDARD



CUSTOMER APPROVAL

Company: _____
 Name : _____
 Position : _____
 Signature : _____
 Date : _____

		HAM-LET GROUP P.O.BOX 824 Nazareth Illit, 17000 Israel mail@ham-let.co.il	
Approvals		Prod. Name: CUSTOMER DRAWING	
Drawn	Engineering	Description: HM20-4VKLC-GF4	
Name: Victoria S.	Name: Felix Sh.	Part No:	
Sign:	Sign:	Not for scale	
Date: 3/30/2008	Date: 3/30/2008	Rev: Draft	Sheet 1 OF 1