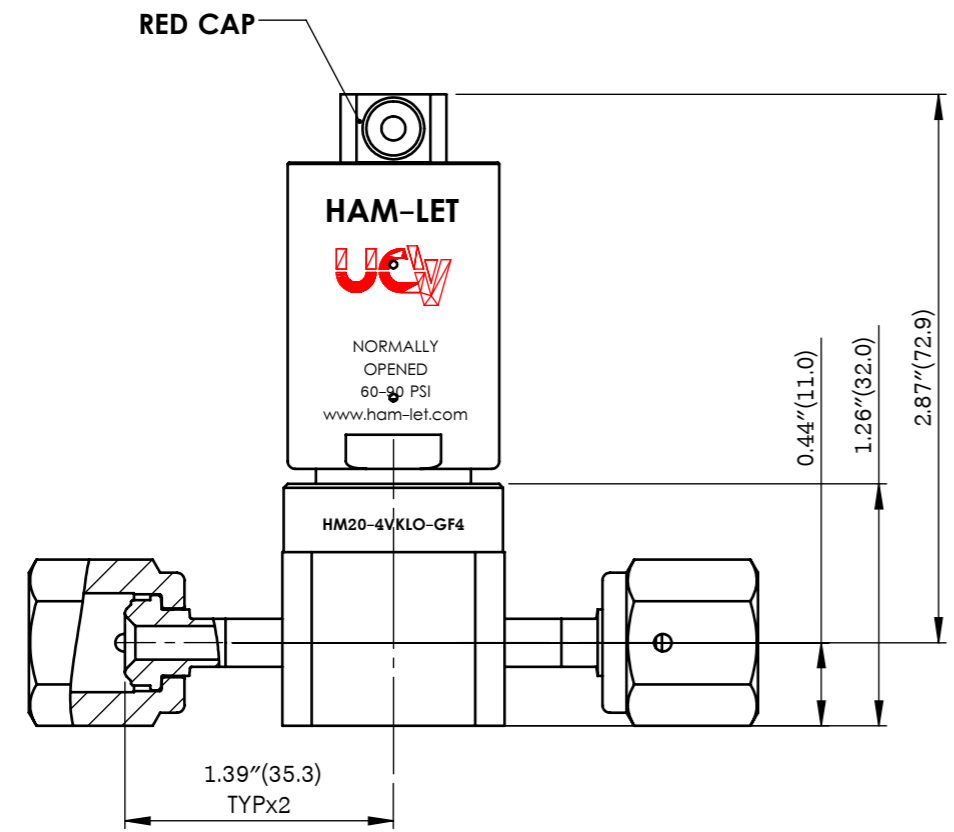
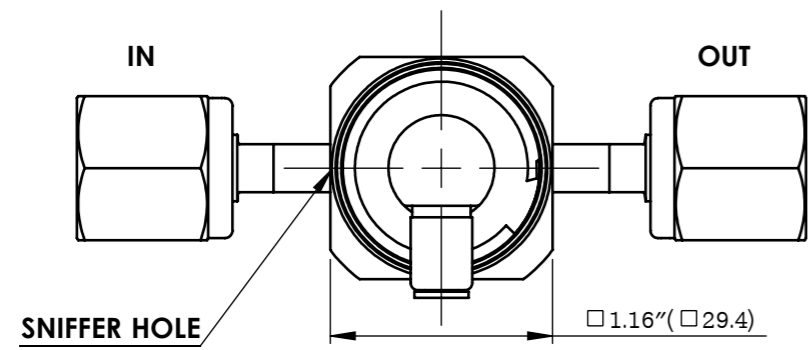


THIS DRAWING AND INFORMATION INCLUDED, ARE THE CONFIDENTIAL PROPERTY OF HAM-LET LTD AND ARE LOANED TO YOU FOR A LIMITED PURPOSE. NEITHER BE COPIED EXHIBITED OR FURNISHED TO OTHERS IN ANY FORM WITHOUT THE WRITTEN CONSENT OF HAM-LET LTD.

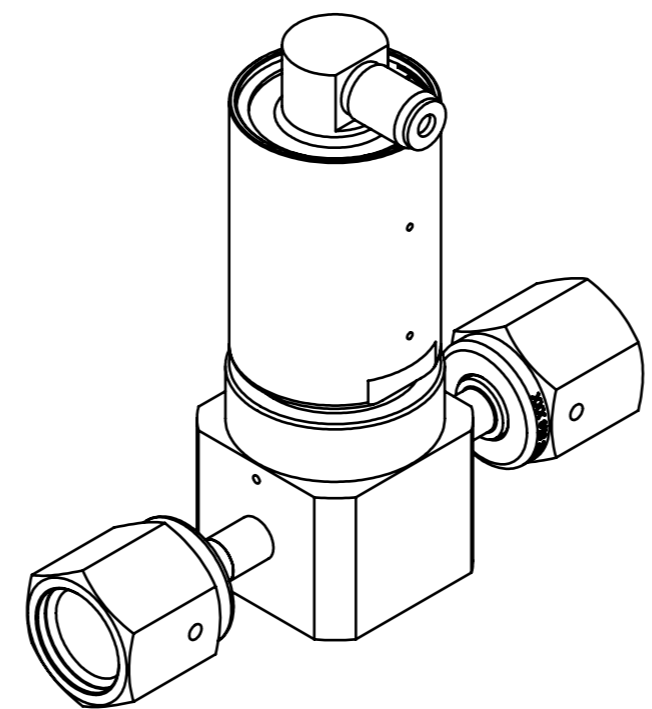
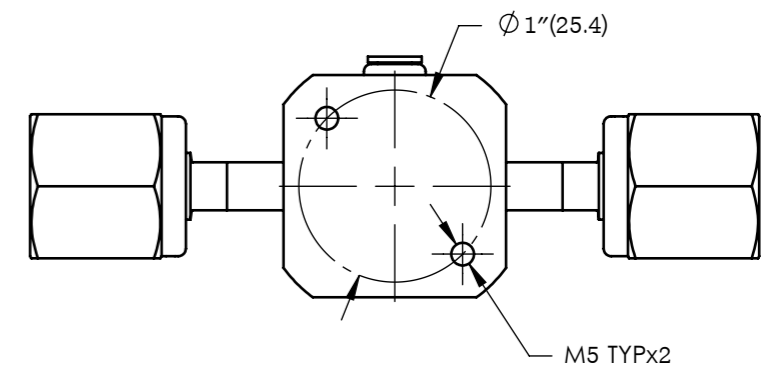
REVISIONS			
REV.	DESCRIPTION	DATE	APPROVED



VALVE TECHNICAL SPECIFICATION	
VALVE SIZE	1/4 INCH
END CONNECTION	SWIVEL FEMALE FACE-SEAL 1/4"
OPERATING WORKING PRESSURE	VACUUM TO 150 PSI (10 BAR)
OPERATING TEMPERATURE	14 TO 140 °F (-10 TO 60 °C)
HE LEAKAGE (INBOARD)	<math>3 \times 10^{-11}</math> ATM CC/ SEC (He)
HE LEAKAGE (ACROSS SEAT)	<math>1 \times 10^{-9}</math> ATM CC/ SEC (He)
OPERATED	PNEUMATIC NORMALLY OPEN (N.O.)
Cv VALUE	0.3
SURFACE FINISH Ra (Ave)	5 $\mu$ inch
VALVE TYPE AND DESIGNATOR	TWO PORT, DESIGNATOR 0
VALVE ASSEMBLED AND TESTED	CLEAN ROOM CLASS 10
AIR CONNECTION	1/8" TUBE PORT / 10-32 UNF
ACTUATOR AIR SUPPLY PRESSURE	60 TO 90 PSI (4 TO 6 BAR)



**PANEL MOUNTING STANDARD**



**CUSTOMER APPROVAL**

Company: \_\_\_\_\_  
 Name : \_\_\_\_\_  
 Position : \_\_\_\_\_  
 Signature : \_\_\_\_\_  
 Date : \_\_\_\_\_

FIRST ANGLE PROJECTION

HAM-LET GROUP P.O. BOX 824  
 Nazareth Illit, 17000 Israel  
 mail@ham-let.co.il

Approvals		Prod. Name: <b>CUSTOMER DRAWING</b>	
Drawn	Engineering	Description: <b>HM20-4VKLO-GF4</b>	
Name: Victoria S.	Name: Felix Sh.	Part No:	
Sign:	Sign:	Not for scale	
Date: 4/6/2008	Date: 4/6/2008	Rev: Draft	Sheet 1 OF 1