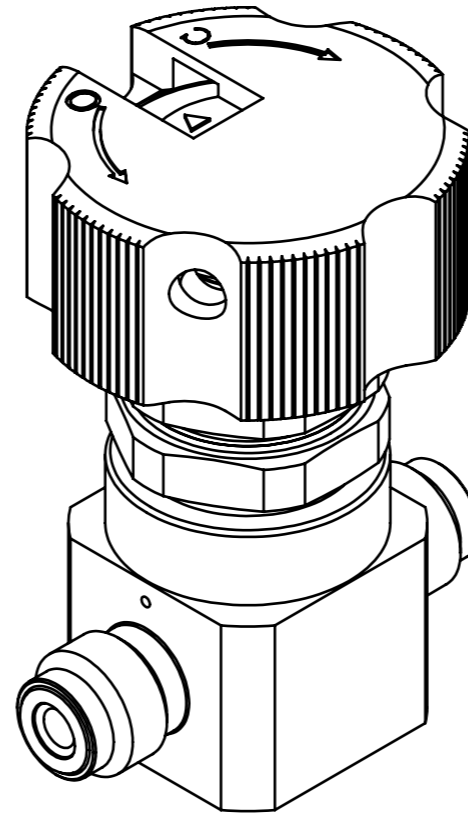
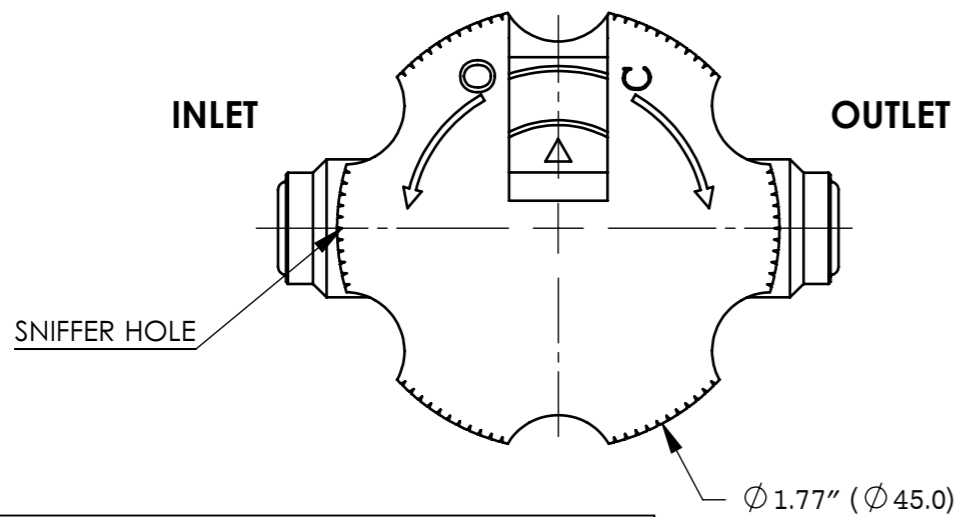
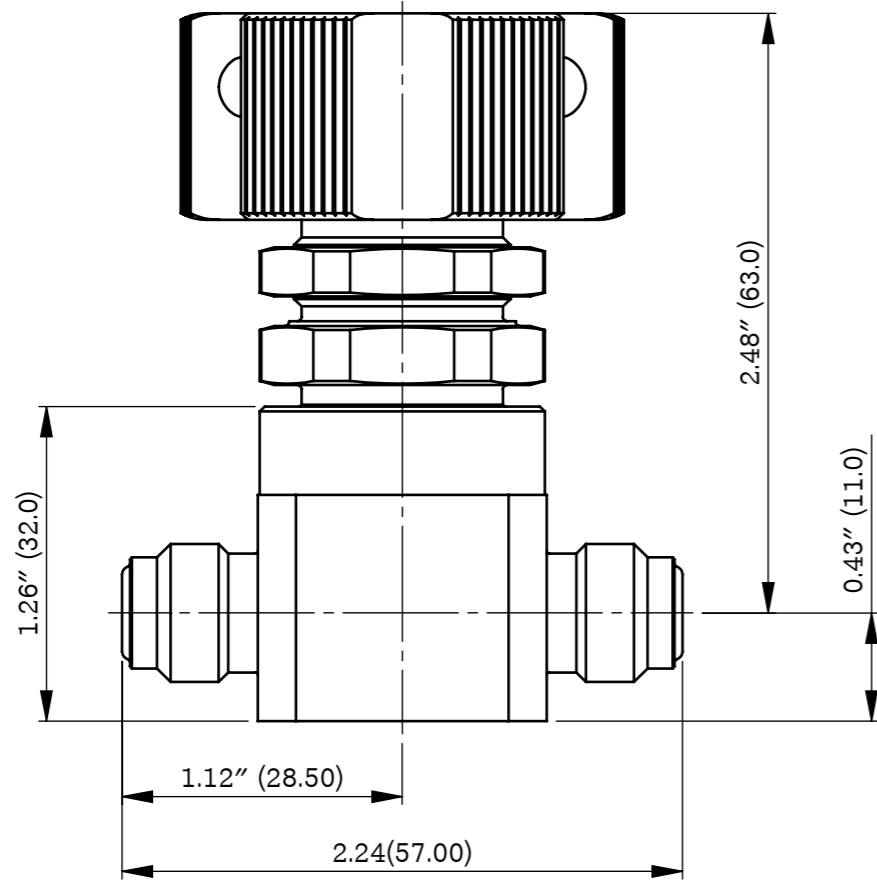
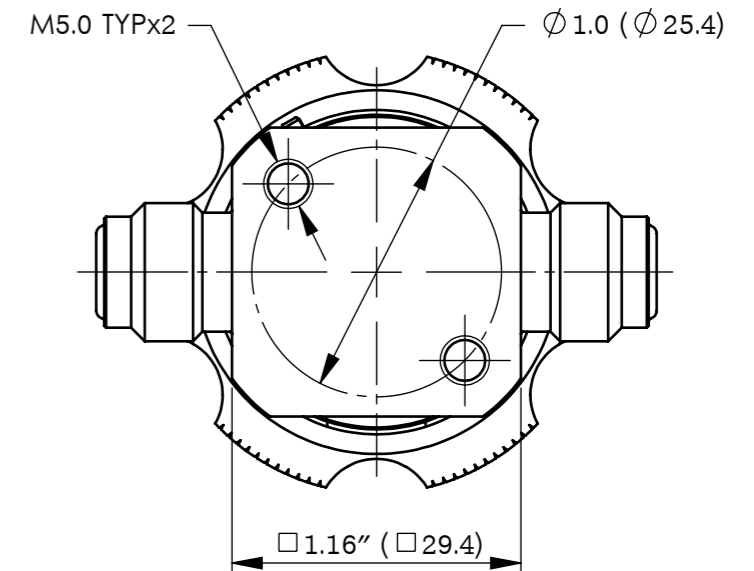


THIS DRAWING AND INFORMATION INCLUDED, ARE THE CONFIDENTIAL PROPERTY OF HAM-LET LTD AND ARE LOANED TO YOU FOR A LIMITED PURPOSE. NEITHER BE COPIED EXHIBED OR FURNISHED TO OTHERS IN ANY FORM WITHOUT THE WRITTEN CONSENT OF HAM-LET LTD.

VALVE TECHNICAL SPECIFICATION	
VALVE SIZE	1/4 INCH
END CONNECTION	MALE FACE-SEAL 1/4
OPERATING WORKING PRESSURE	VACUUM TO 300 PSI (20 BAR)
OPERATING TEMPERATURE	14 TO 302 °F (-10 TO 150 °C)
HE LEAKAGE (INBOARD)	<3×10 <sup>-11</sup> ATM CC/ SEC(He)
HE LEAKAGE (ACROSS SEAT)	<1×10 <sup>-9</sup> ATM CC /SEC ( He)
OPERATED	MANUALLY-ROUND HANDLE 3/4 TURN
Cv VALUE	0.3
SURFACE FINISH Ra (Ave)	5 μinch
VALVE TYPE AND DESIGNATOR	TWO PORT, DESIGNATOR 0
VALVE ASSEMBLED AND TESTED	CLEAN ROOM CLASS 10


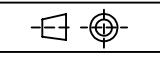


### PANEL MOUNTING STANDARD



### CUSTOMER APPROVAL

Company: \_\_\_\_\_  
 Name : \_\_\_\_\_  
 Position : \_\_\_\_\_  
 Signature : \_\_\_\_\_  
 Date : \_\_\_\_\_

 <b>HAM-LET</b> Advanced Control Technology		HAM-LET GROUP P.O.BOX 824 Nazareth Illit, 17000 Israel mail@ham-let.co.il	
		FIRST ANGLE PROJECTION 	
Approvals		Prod. Name: <b>CUSTOMER DRAWING</b>	
Drawn	Engineering	Description: <b>HM20-4VSLR-M4-L57</b>	
Name: V.S.	Name: M.M.	Part No:	
Sign:	Sign:	Not for scale	
Date: 20/06/2013	Date: 20/06/2013	Rev: Draft	Sheet 1 OF 1