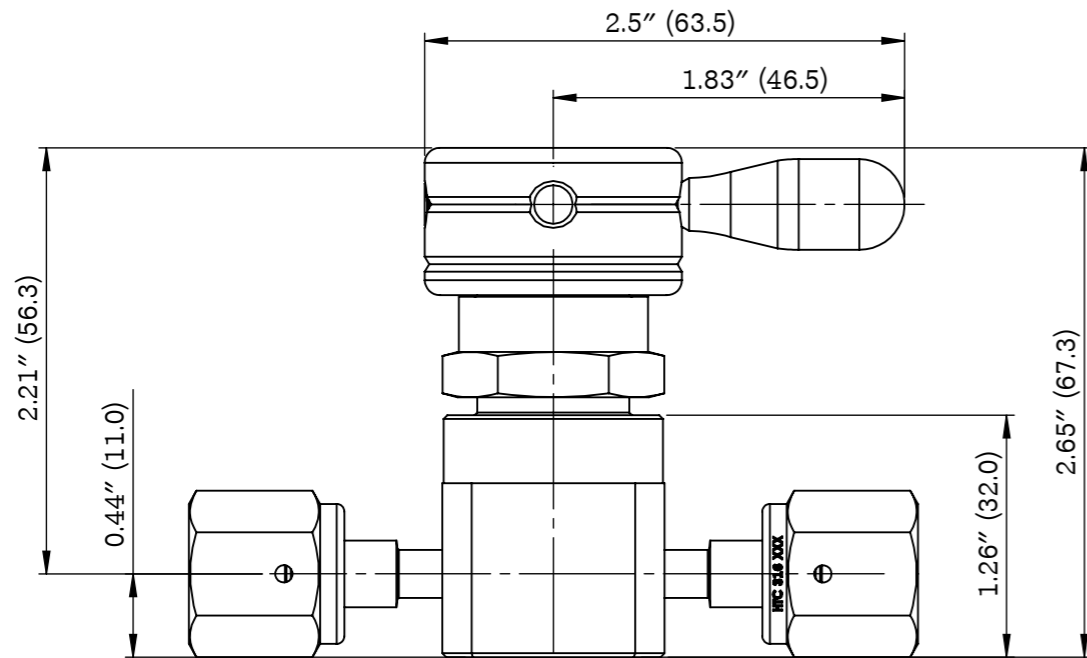
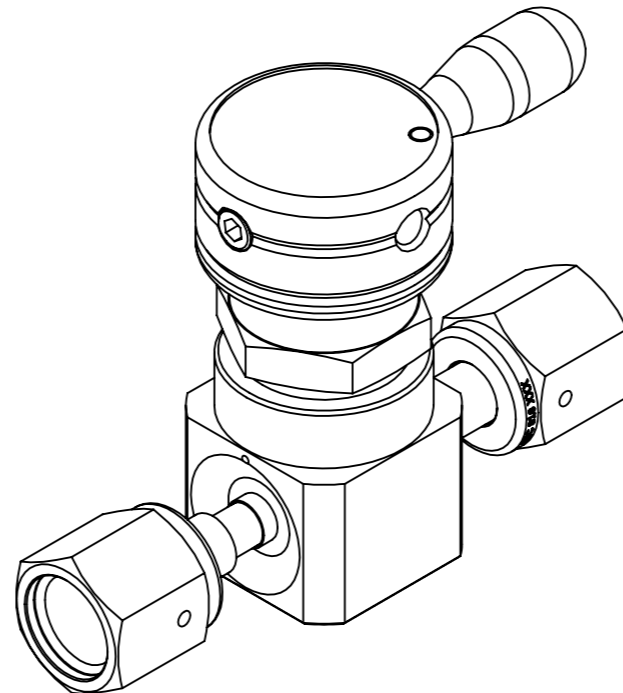
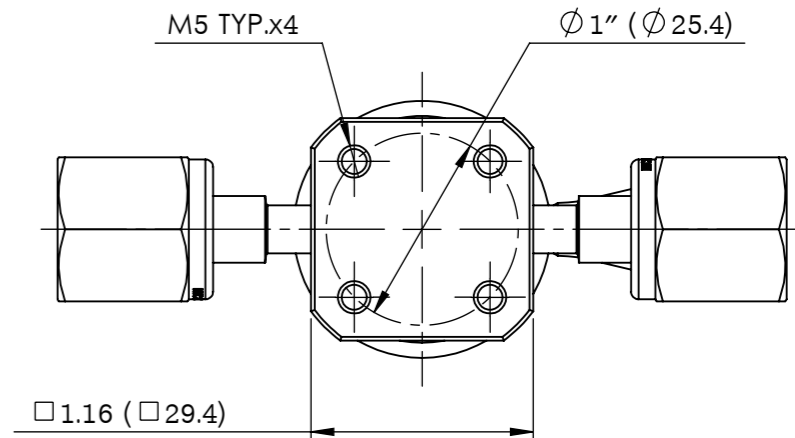
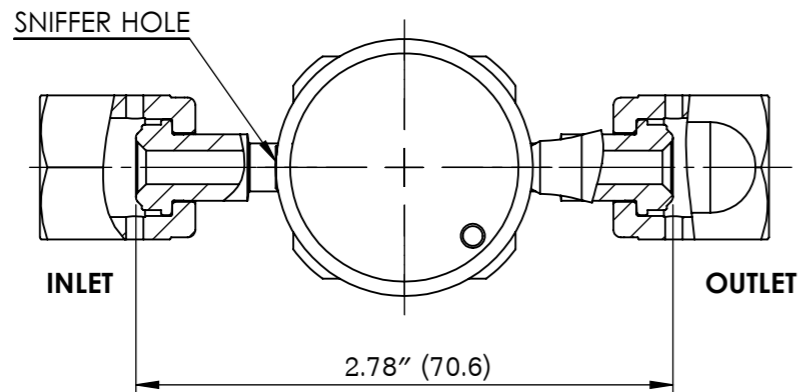


THIS DRAWING AND INFORMATION INCLUDED, ARE THE CONFIDENTIAL PROPERTY OF HAM-LET LTD AND ARE LOANED TO YOU FOR A LIMITED PURPOSE. NEITHER BE COPIED EXHIBITED OR FURNISHED TO OTHERS IN ANY FORM WITHOUT THE WRITTEN CONSENT OF HAM-LET LTD.



VALVE TECHNICAL SPECIFICATION	
VALVE SIZE	1/4 INCH
END CONNECTION	SWIVEL FEMALE FACE-SEAL 1/4
OPERATING WORKING PRESSURE	VACUUM TO 3060 PSI (208 BAR)
OPERATING TEMPERATURE	14 TO 140 °F (-10 TO 60 °C)
HE LEAKAGE (INBOARD)	<math>3 \times 10^{-11}</math> ATM CC / SEC (He)
HE LEAKAGE (ACROSS SEAT)	<math>1 \times 10^{-9}</math> ATM CC / SEC ( He)
OPERATED	LEVER 1/4 TURN
Cv VALUE	0.23
SURFACE FINISH Ra (Ave)	5 μinch
VALVE TYPE AND DESIGNATOR	TWO PORT, DESIGNATOR 0
VALVE ASSEMBLED AND TESTED	CLEAN ROOM CLASS 10



### CUSTOMER APPROVAL

Company: \_\_\_\_\_  
 Name : \_\_\_\_\_  
 Position : \_\_\_\_\_  
 Signature : \_\_\_\_\_  
 Date : \_\_\_\_\_

		Prod. Name: <b>CUSTOMER DRAWING</b>	
		Description: <b>HP20-4VKHL-GF4</b>	
Drawn Name: V. S. Sign: Date: 8/3/2009	Engineering Name: B.M. Sign: Date: 8/3/2009	Part No:	Not for scale
		Rev: Draft	Sheet 1 OF 1