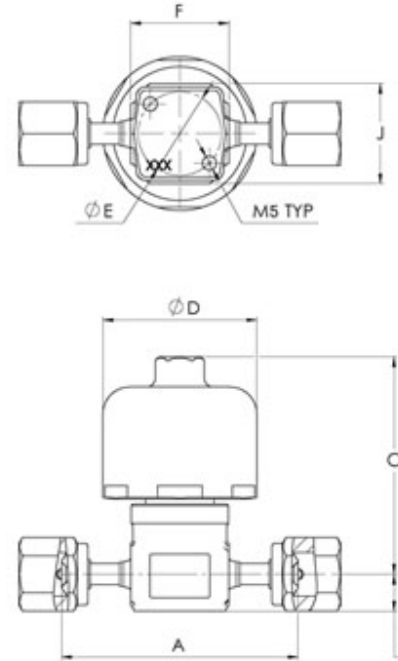


<b>Product Code:</b>	2LDS4CFV
<b>Actuation:</b>	Actuator
<b>Body Size:</b>	1/4"
<b>Connection Type:</b>	Swivel Female Face Seal
<b>Connection Size:</b>	1/4"
<b>Body Material:</b>	Forged SS 316L
<b>Max Pressure:</b>	150 psi (1 MPa)
<b>Temperature Range:</b>	-10°C to 60°C
<b>Leak Rate - Inboard:</b>	$\leq 3 \cdot 10^{-12}$ Pa · m <sup>3</sup> /sec (He)
<b>Leak Rate - Across Seat:</b>	$\leq 3 \cdot 10^{-12}$ Pa · m <sup>3</sup> /sec (He)
<b>CV:</b>	0.3
<b>Seat Material:</b>	PCTFE
<b>Actuator Type:</b>	Normally Close
<b>Actuation Pressure:</b>	60 to 90 psi (4 to 6 bar)



Param	inch	mm
A	2.78	70.6
B	0.43	11
C	2.56	65
D	1.81	46
E	0.98	25
F	1.16	29.4
J	1.18	30

THIS DRAWING AND INFORMATION INCLUDED, ARE CONFIDENTIAL PROPERTY OF HAM-LET LTD AND ARE LOANED TO YOU FOR A LIMITED PURPOSE. NEITHER TO BE COPIED EXHIBITED OR FURNISHED TO OTHERS IN ANY FORM WITHOUT THE WRITTEN CONSENT OF HAM-LET LTD.



HAM-LET GROUP LTD  
info@ham-let.com

Part No. 2LDS4CFV

Catalog Number N/A

2LD Series, Low Pressure UHP Actuated Valve, Swivel Female Face Seal 1/4"