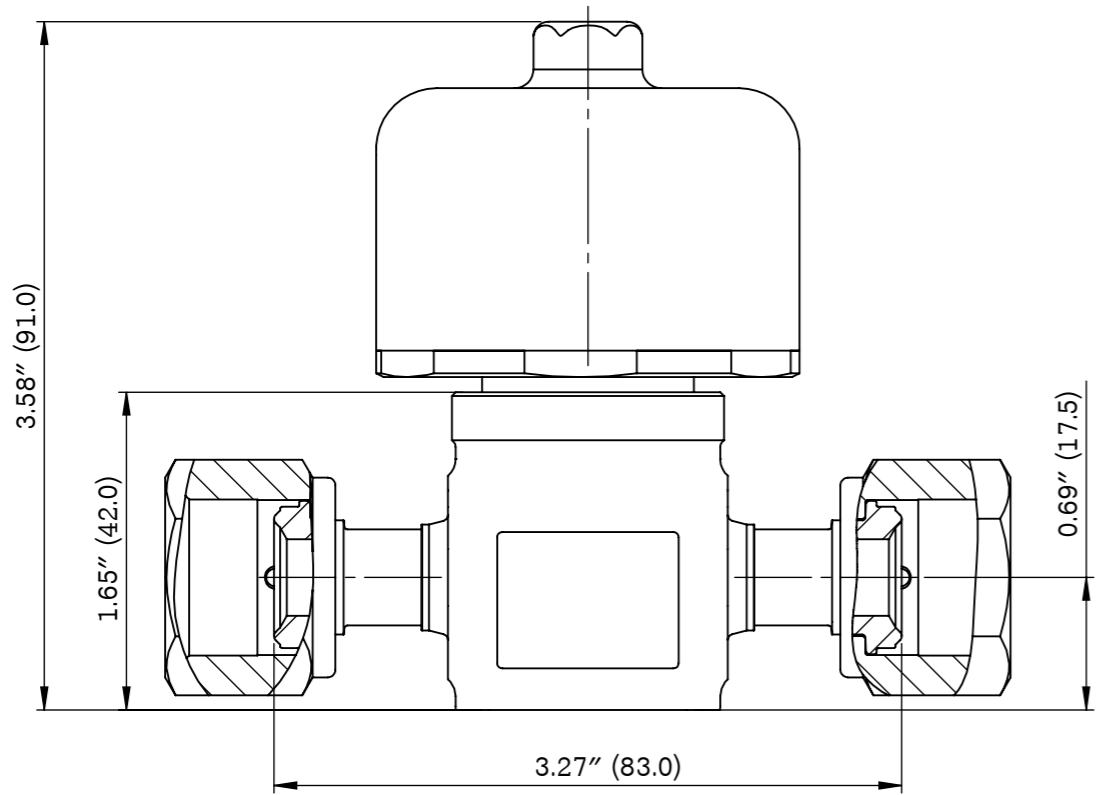
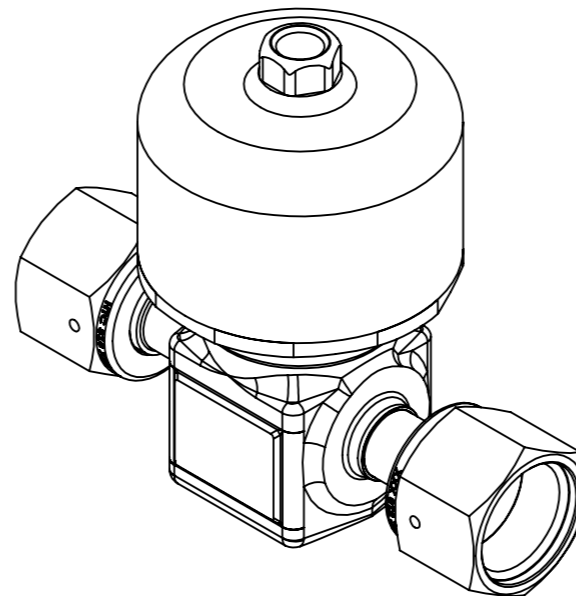
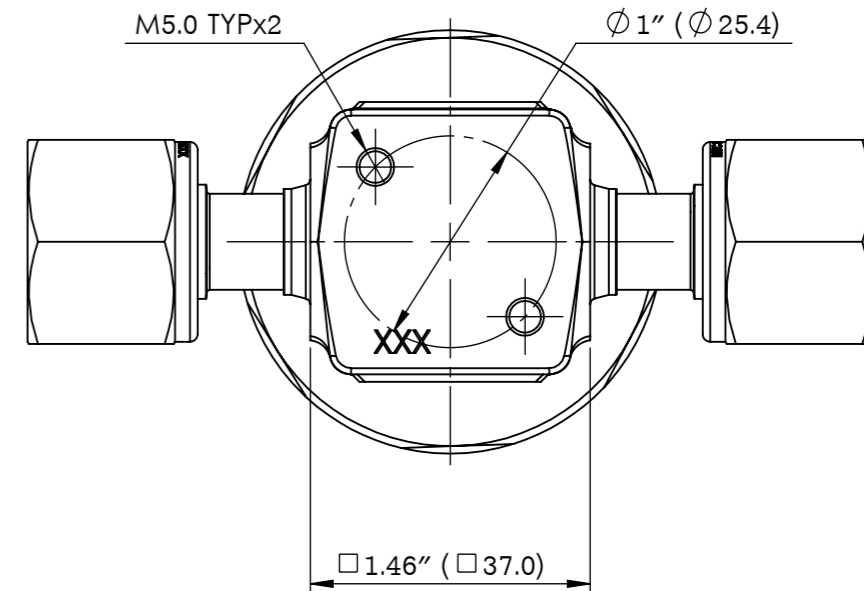
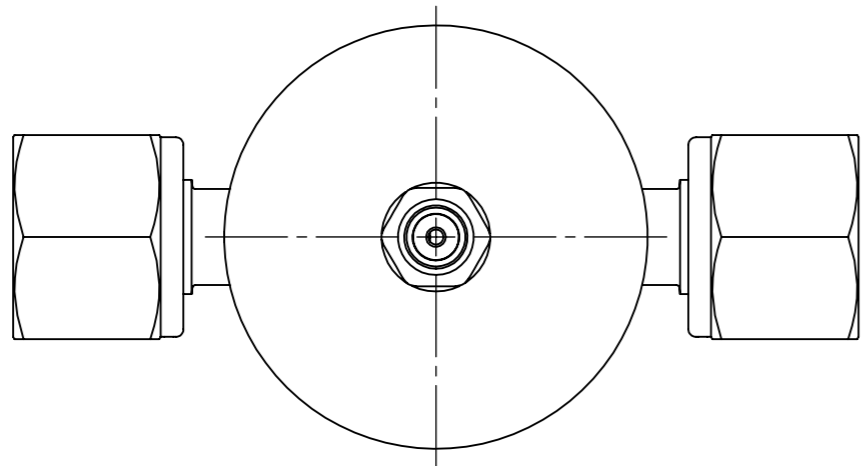


THIS DRAWING AND INFORMATION INCLUDED, ARE THE CONFIDENTIAL PROPERTY OF HAM-LET LTD AND ARE LOANED TO YOU FOR A LIMITED PURPOSE. NEITHER BE COPIED EXHIBITED OR FURNISHED TO OTHERS IN ANY FORM WITHOUT THE WRITTEN CONSENT OF HAM-LET LTD.



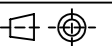
VALVE TECHNICAL SPECIFICATION	
VALVE SIZE	1/2 INCH
END CONNECTION	SWIVEL FEMALE FACE SEAL-1/2"
OPERATING WORKING PRESSURE	VACUUM TO 150 PSI (10 BAR)
OPERATING TEMPERATURE	14 TO 140 °F (-10 TO 60 °C)
HE LEAKAGE (INBOARD)	$<3 \times 10^{-12} \text{ Pa} \times \text{m}^3 / \text{Sec (He)}$
HE LEAKAGE (ACROSS SEAT)	$<3 \times 10^{-10} \text{ Pa} \times \text{m}^3 / \text{Sec (He)}$
OPERATED	PNEUMATIC NORMALLY CLOSED (N.C.)
Cv VALUE	0.7
SURFACE FINISH Ra (Ave)	5 μinch
VALVE TYPE AND DESIGNATOR	TWO PORT, DESIGNATOR 0
VALVE ASSEMBLED AND TESTED	CLEAN ROOM CLASS 10
AIR CONNECTION	1/8" NPT
ACTUATOR AIR SUPPLY PRESSURE	60 TO 90 PSI (4 TO 6 BAR)




CUSTOMER APPROVAL

Company: _____
 Name : _____
 Position : _____
 Signature : _____
 Date : _____

FIRST ANGLE PROJECTION



 HAM-LET Advanced Control Technology		HAM-LET GROUP P.O.BOX 824 Nazareth Illit, 17000 Israel mail@ham-let.co.il	
		Prod. Name: CUSTOMER DRAWING	
Approvals		Description: 2LDS8C-FV-L83	
Drawn Name: V.S.	Engineering Name: M.M.	Part No:	
Sign:	Sign:	Not for scale	
Date: 20/06/2013	Date: 20/06/2013	Rev: Draft	Sheet 1 OF 1