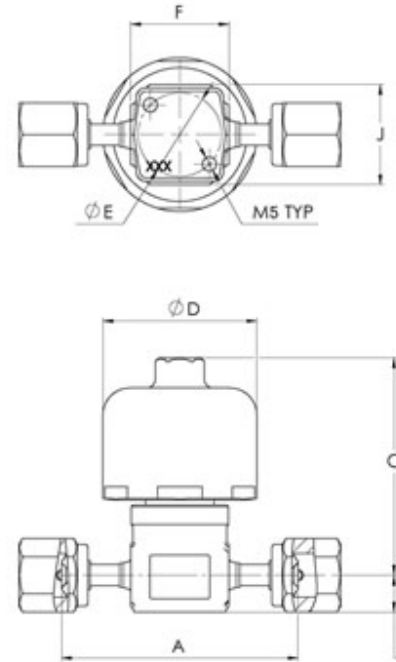


<b>Product Code:</b>	2LDS8CFV
<b>Actuation:</b>	Actuator
<b>Body Size:</b>	1/2"
<b>Connection Type:</b>	Swivel Female Face Seal
<b>Connection Size:</b>	1/2"
<b>Body Material:</b>	Forged SS 316L
<b>Max Pressure:</b>	150 psi (1 MPa)
<b>Temperature Range:</b>	-10°C to 60°C
<b>Leak Rate - Inboard:</b>	$\leq 3 \cdot 10^{-12}$ Pa · m <sup>3</sup> /sec (He)
<b>Leak Rate - Across Seat:</b>	$\leq 3 \cdot 10^{-12}$ Pa · m <sup>3</sup> /sec (He)
<b>CV:</b>	0.7
<b>Seat Material:</b>	PCTFE
<b>Actuator Type:</b>	Normally Close
<b>Actuation Pressure:</b>	60 to 90 psi (4 to 6 bar)



Param	inch	mm
A	3.94	100
B	0.69	17.5
C	2.89	73.5
D	2.20	56
E	1.1	28
F	1.46	37
J	1.46	37

THIS DRAWING AND INFORMATION INCLUDED, ARE CONFIDENTIAL PROPERTY OF HAM-LET LTD AND ARE LOANED TO YOU FOR A LIMITED PURPOSE. NEITHER TO BE COPIED EXHIBITED OR FURNISHED TO OTHERS IN ANY FORM WITHOUT THE WRITTEN CONSENT OF HAM-LET LTD.



HAM-LET GROUP LTD  
info@ham-let.com

Part No. 2LDS8CFV

Catalog Number N/A

2LD Series, Low Pressure UHP Actuated Valve, Swivel Female Face Seal 1/2"