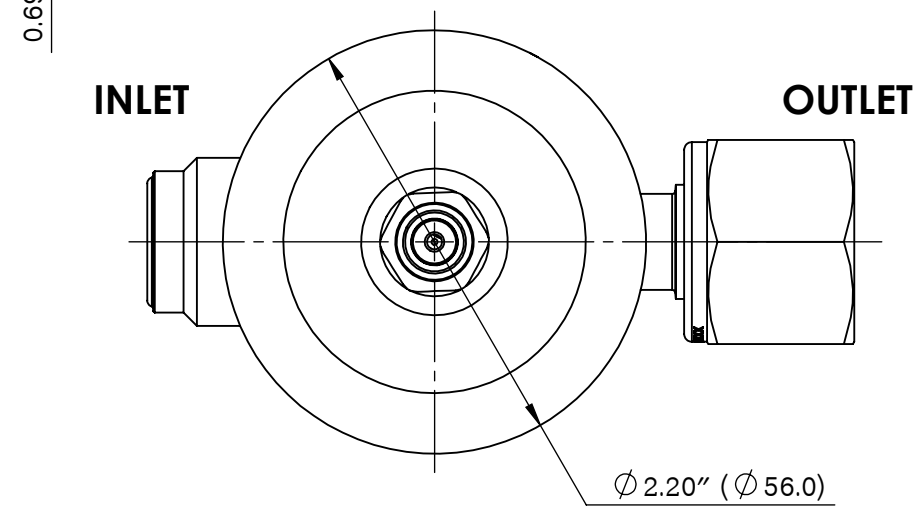
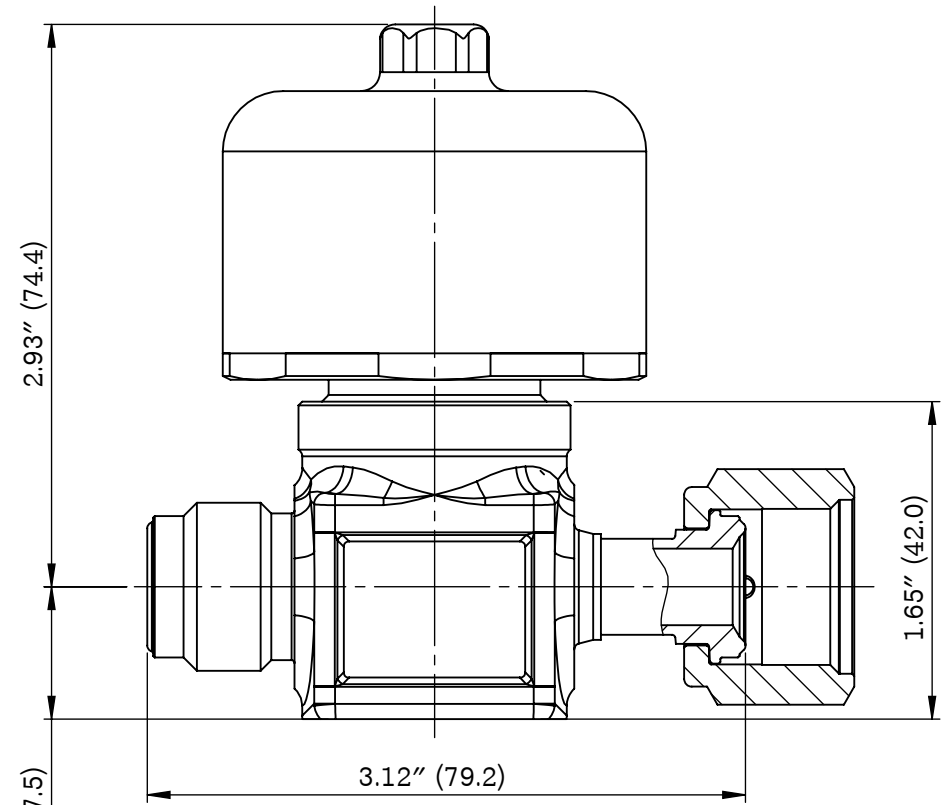
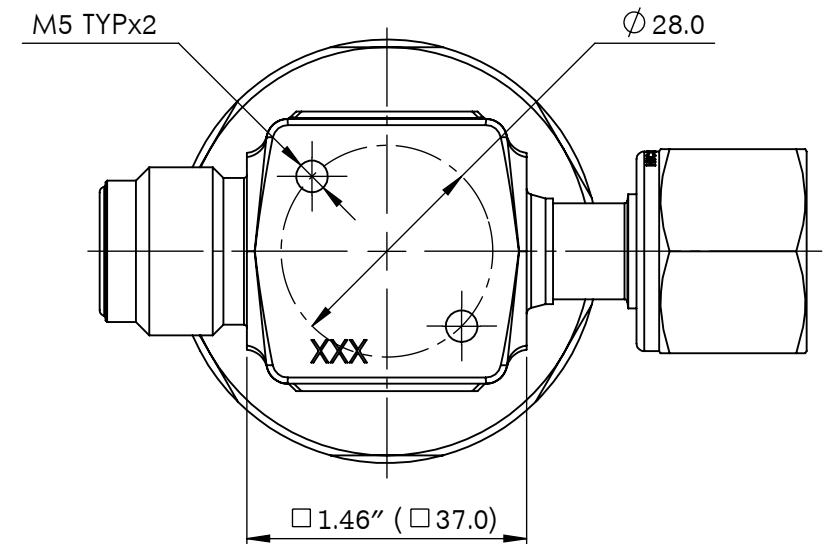
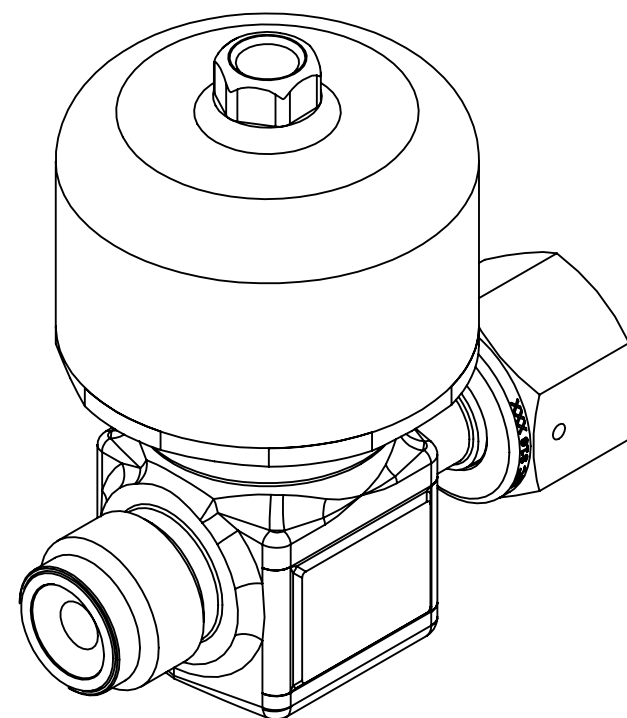


THIS DRAWING AND INFORMATION INCLUDED, ARE THE CONFIDENTIAL PROPERTY OF HAM-LET LTD AND ARE LOANED TO YOU FOR A LIMITED PURPOSE. NEITHER BE COPIED EXHIBITED OR FURNISHED TO OTHERS IN ANY FORM WITHOUT THE WRITTEN CONSENT OF HAM-LET LTD.



VALVE TECHNICAL SPECIFICATION	
VALVE SIZE	1/2 INCH
END CONNECTION	MALE FACE-SEAL & SWIVEL FEMALE FACE-SEAL 1/2"
OPERATING WORKING PRESSURE	VACUUM TO 150 PSI (10 BAR)
OPERATING TEMPERATURE	14 TO 302 °F (-10 TO 150 °C)
HE LEAKAGE (INBOARD)	$<3 \times 10^{-12}$ Pa·m ³ /Sec (He)
HE LEAKAGE (ACROSS SEAT)	$<3 \times 10^{-10}$ Pa·m ³ /Sec (He)
OPERATED	PNEUMATIC NORMALLY CLOSED (N.C.)
Cv VALUE	0.7
SURFACE FINISH Ra (Ave)	5 µinch
VALVE TYPE AND DESIGNATOR	TWO PORT, DESIGNATOR 0
VALVE ASSEMBLED AND TESTED	CLEAN ROOM CLASS 10
AIR CONNECTION	1/8" BSPT
ACTUATOR AIR SUPPLY PRESSURE	60 TO 90 PSI (4 TO 6 BAR)



FIRST ANGLE PROJECTION

CUSTOMER APPROVAL

Company: _____
 Name : _____
 Position : _____
 Signature : _____
 Date : _____

HAM-LET Advanced Control Technology		HAM-LET GROUP P.O.BOX 824 Nazareth Illit, 17000 Israel mail@ham-let.co.il	
Approvals		Prod. Name: CUSTOMER DRAWING	
Drawn	Engineering	Description:	
Name: S.S.	Name: B.M.	2LDS8C-BV-FV-P	
Sign:	Sign:	Part No:	
Date: 24/09/2012	Date: 24/09/2012	Not for scale	Rev: Draft
		Sheet 1 OF 1	