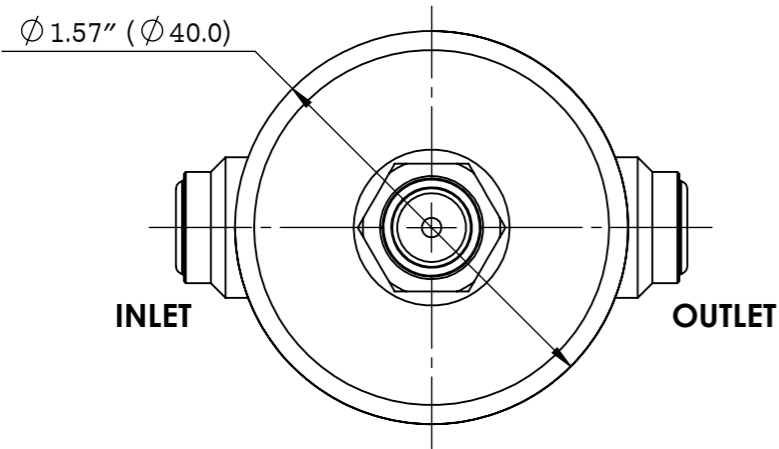
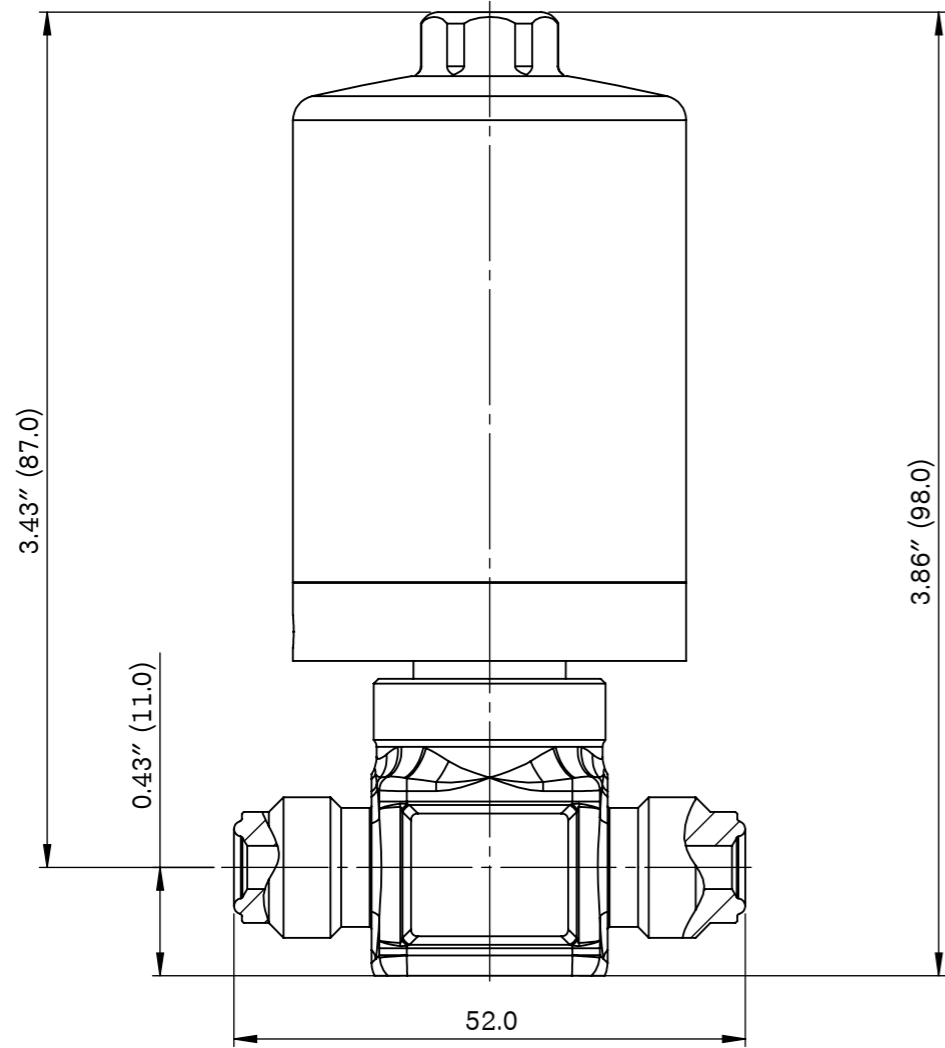
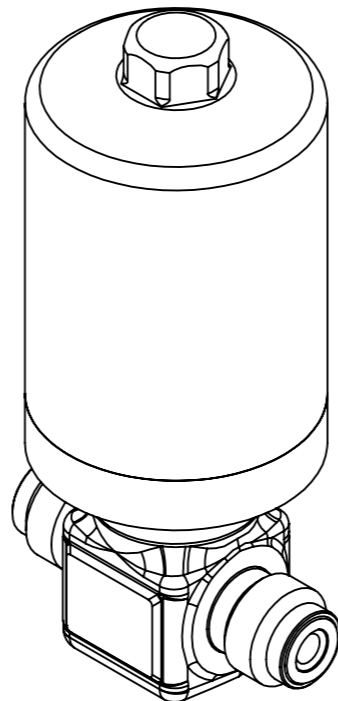
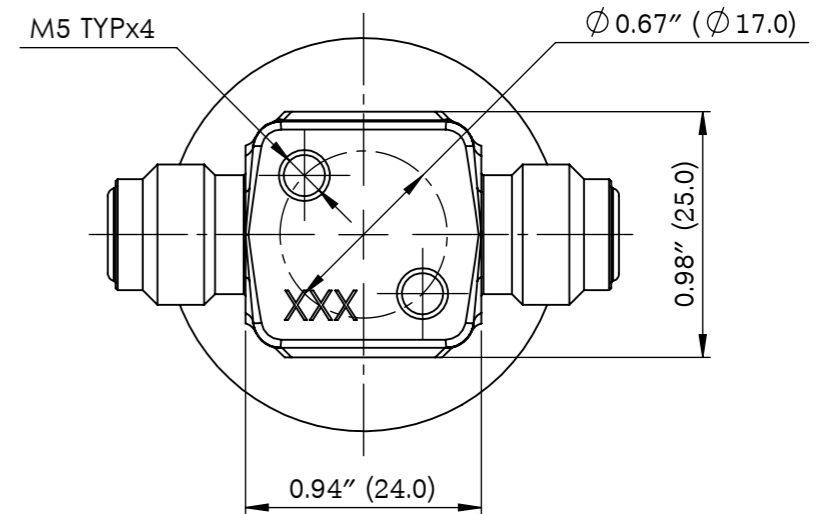


THIS DRAWING AND INFORMATION INCLUDED, ARE THE CONFIDENTIAL PROPERTY OF HAM-LET LTD AND ARE LOANED TO YOU FOR A LIMITED PURPOSE. NEITHER BE COPIED EXHIBITED OR FURNISHED TO OTHERS IN ANY FORM WITHOUT THE WRITTEN CONSENT OF HAM-LET LTD.


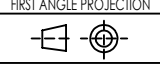


VALVE TECHNICAL SPECIFICATION	
VALVE SIZE	1/4 INCH
END CONNECTION	MALE FACE-SEAL 1/4"
OPERATING WORKING PRESSURE	VACUUM TO 3060 PSI (210 BAR)
OPERATING TEMPERATURE	14 TO 104 °F (-10 TO 40 °C)
HE LEAKAGE (INBOARD)	3×10^{-12} Pa·m ³ /Sec (He)
HE LEAKAGE (ACROSS SEAT)	3×10^{-10} Pa·m ³ /Sec (He)
OPERATED	PNEUMATIC NORMALLY CLOSED (N.C.)
Cv VALUE	0.1
SURFACE FINISH Ra (Ave)	5 μinch
VALVE TYPE AND DESIGNATOR	TWO PORT, DESIGNATOR 0
VALVE ASSEMBLED AND TESTED	CLEAN ROOM CLASS 10
AIR CONNECTION	1/8" BSPT
ACTUATOR AIR SUPPLY PRESSURE	60 TO 90 PSI (4 TO 6 BAR)



CUSTOMER APPROVAL

Company: _____
 Name : _____
 Position : _____
 Signature : _____
 Date : _____

 HAM-LET GROUP P.O.BOX 824 Nazareth Illit, 17000 Israel mail@ham-let.co.il		FIRST ANGLE PROJECTION	
			
Approvals		Prod. Name: CUSTOMER DRAWING	
Drawn	Engineering	Description: 2LHS4C-BV-210K	
Name: S.S.	Name: B.M.	Part No:	
Sign:	Sign:	Not for scale	
Date: 27/09/2012	Date: 27/09/2012	Rev: Draft	Sheet 1 OF 1