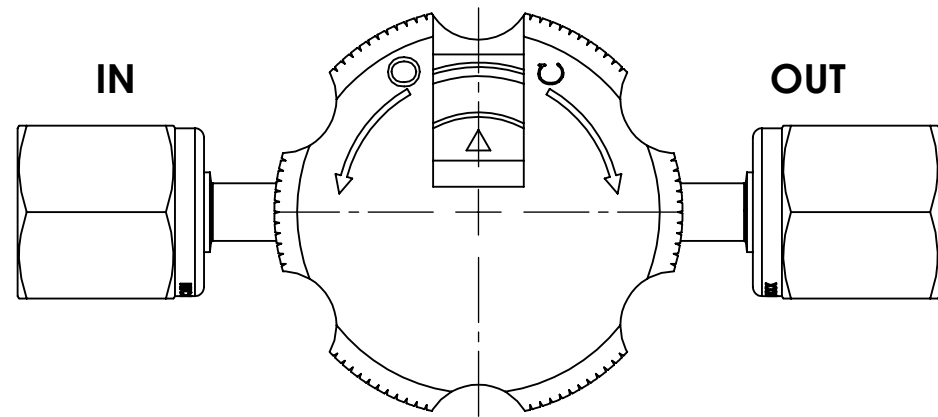
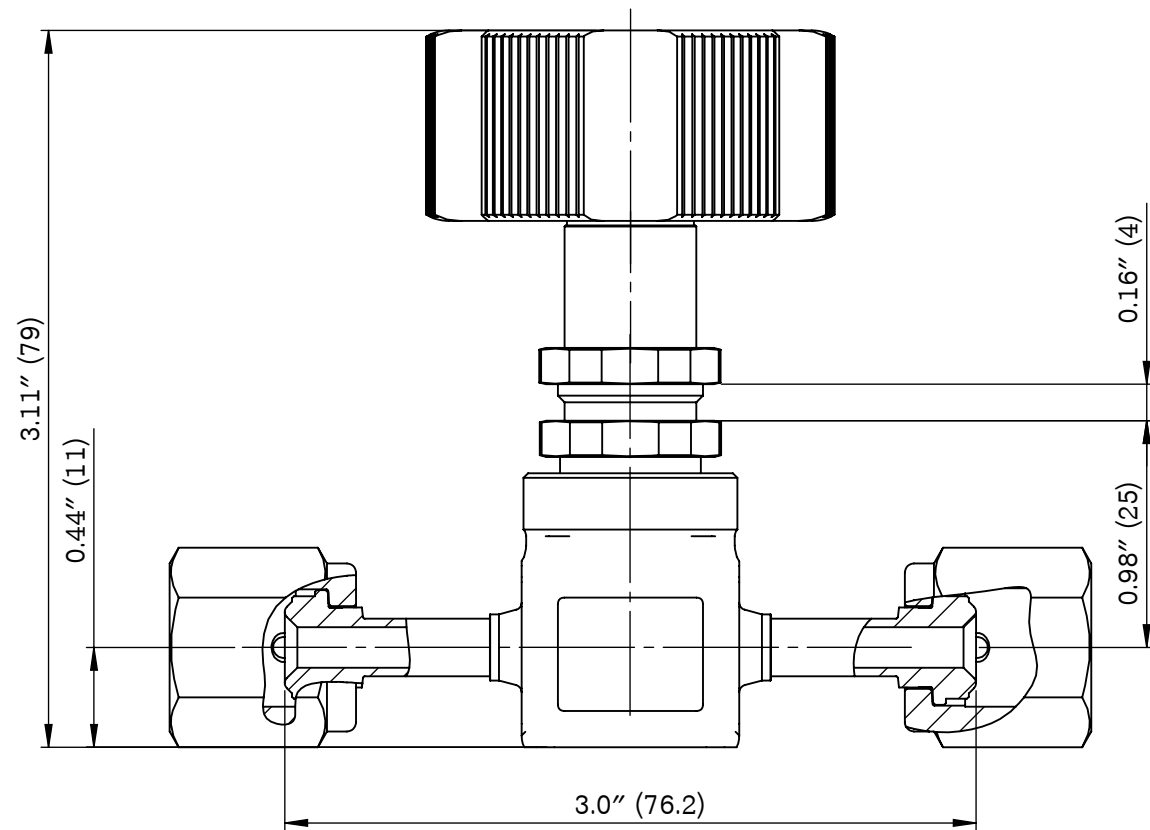
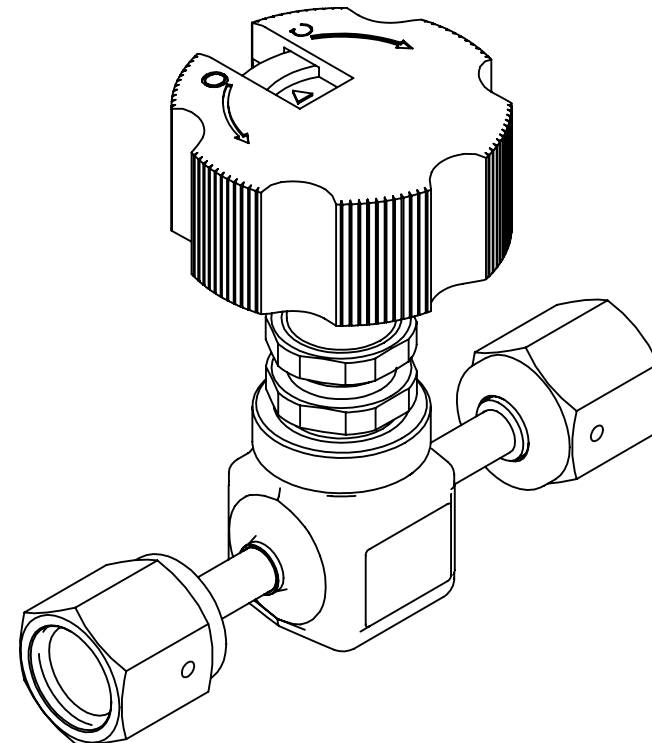
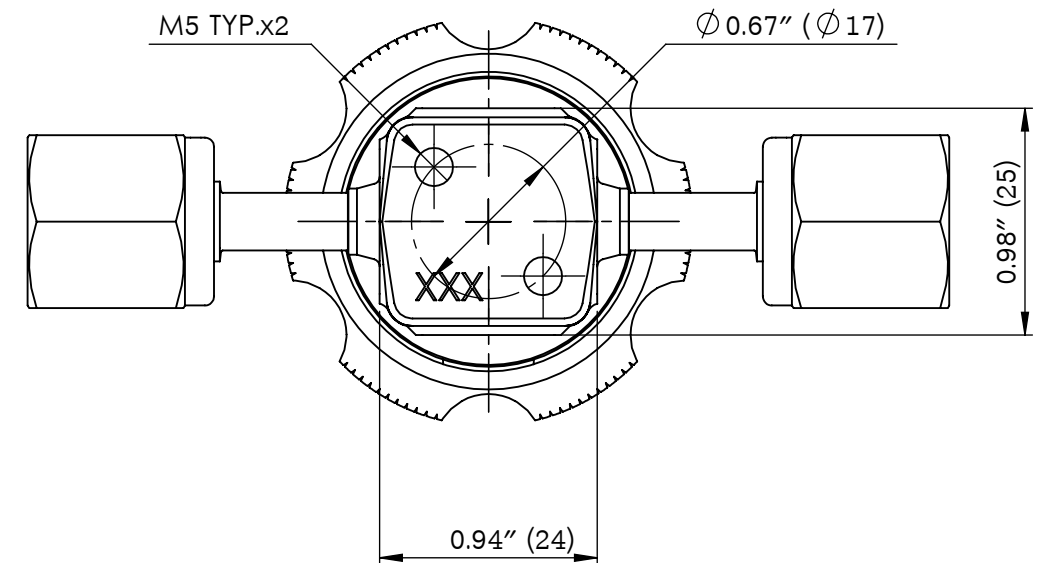


THIS DRAWING AND INFORMATION INCLUDED, ARE THE CONFIDENTIAL PROPERTY OF HAM-LET LTD AND ARE LOANED TO YOU FOR A LIMITED PURPOSE. NEITHER BE COPIED EXHIBED OR FURNISHED TO OTHERS IN ANY FORM WITHOUT THE WRITTEN CONSENT OF HAM-LET LTD.




VALVE TECHNICAL SPECIFICATION	
VALVE SIZE	1/4 INCH
END CONNECTION	SWIVEL FEMALE FACE-SEAL 1/4"
OPERATING WORKING PRESSURE	VACUUM TO 3060 PSI (210 BAR)
OPERATING TEMPERATURE	14 TO 302 °F (-10 TO 150 °C)
HE LEAKAGE (INBOARD)	$<3 \times 10^{-12} \text{ Pa} \times \text{m}^3 / \text{Sec (He)}$
HE LEAKAGE (ACROSS SEAT)	$<3 \times 10^{-10} \text{ Pa} \times \text{m}^3 / \text{Sec (He)}$
OPERATED	MANUALLY-ROUND HANDLE 3/4 TURN
Cv VALUE	0.1
SURFACE FINISH Ra (Ave)	5 μ inch
VALVE TYPE AND DESIGNATOR	TWO PORT, DESIGNATOR 0
VALVE ASSEMBLED AND TESTED	CLEAN ROOM CLASS 10



CUSTOMER APPROVAL

Company: _____
 Name : _____
 Position : _____
 Signature : _____
 Date : _____

FIRST ANGLE PROJECTION

 HAM-LET Advanced Control Technology		HAM-LET GROUP P.O.BOX 824 Nazareth Illit, 17000 Israel mail@ham-let.co.il	
Approvals		Prod. Name: CUSTOMER DRAWING	
Drawn	Engineering	Description: 2LHS4R-FV-210K-PI-L76.2	
Name: V. S.	Name: M.M.	Part No:	
Sign:	Sign:	Not for scale	
Date: 20/06/2013	Date: 20/06/2013	Rev: Draft	Sheet 1 OF 1