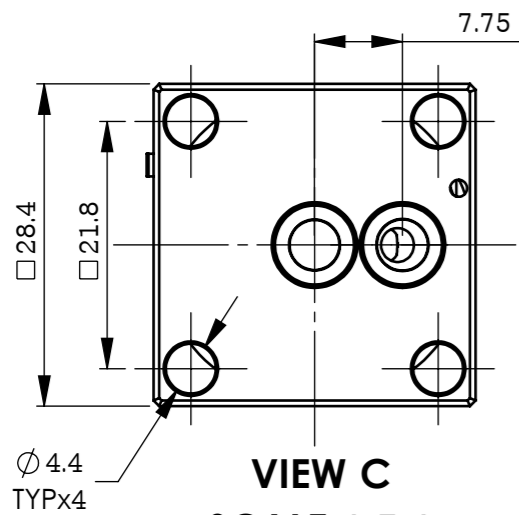
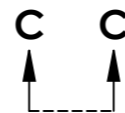
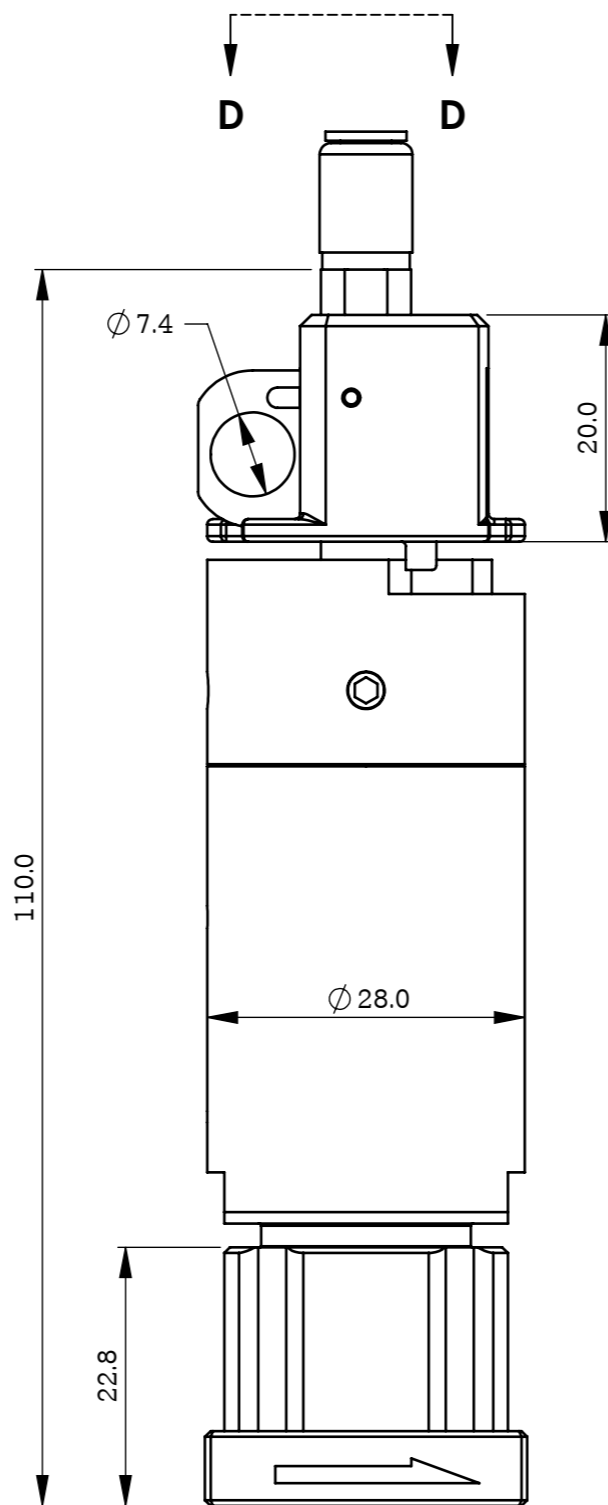


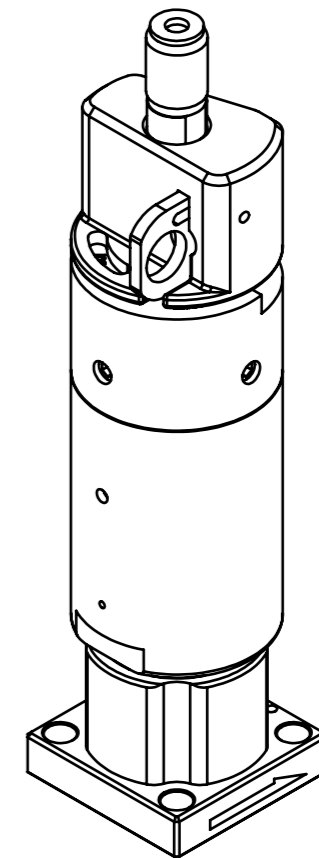
VIEW D
SCALE 1.5:1



VIEW C
SCALE 1.5:1




VALVE TECHNICAL SPECIFICATION	
BODY SIZE	1/4 INCH
END CONNECTION	1.125" SURFACE MOUNT
OPERATING WORKING PRESSURE	VACUUM TO 150 PSI (10 BAR)
OPERATING TEMPERATURE	14 TO 176 °F (-10 TO 80 °C)
HE LEAKAGE (INBOARD)	3×10^{-11} ATM CC HE/SEC
HE LEAKAGE (ACROSS SEAT)	1×10^{-9} ATM CC HE/SEC
Cv VALUE	0.3
SURFACE FINISH Ra (Ave)	5 μ inch
VALVE ASSEMBLED AND TESTED	CLEAN ROOM CLASS 10
ACTUATOR AIR SUPPLY PRESSURE	60 TO 90 PSI (4 TO 6 BAR)



CUSTOMER APPROVAL

Company: _____
 Name : _____
 Position : _____
 Signature : _____
 Date : _____



 HAM-LET Advanced Control Technology		HAM-LET GROUP P.O.BOX 824 Nazareth Illit, 17000 Israel mail@ham-let.co.il	
Approvals		Prod. Name: CUSTOMER DRAWING	
Drawn	Engineering	Description: 2LNS4C-CM2-HB	
Name: V.S.	Name: B.M.	Part No:	
Sign:	Sign:	Not for scale	
Date: 04/07/2010	Date: 04/07/2010	Rev: Draft	Sheet 1 OF 1