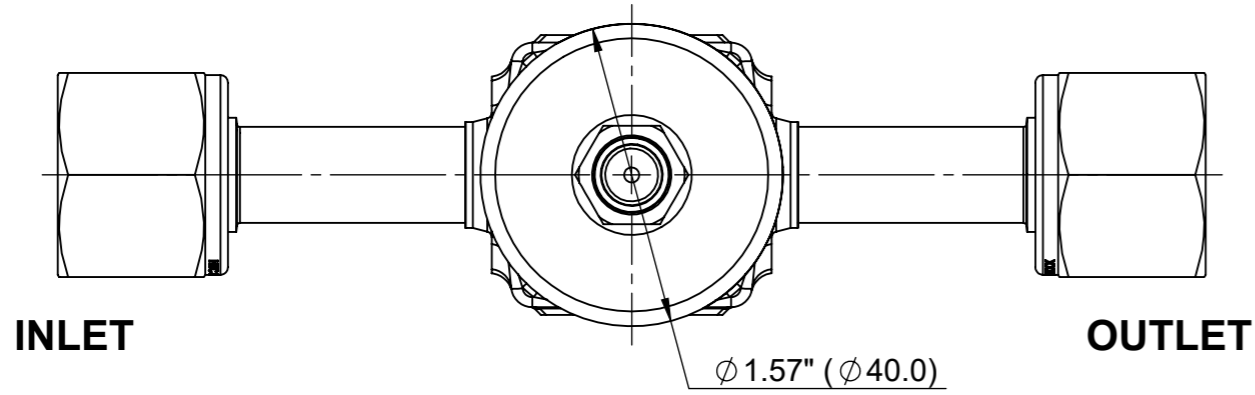
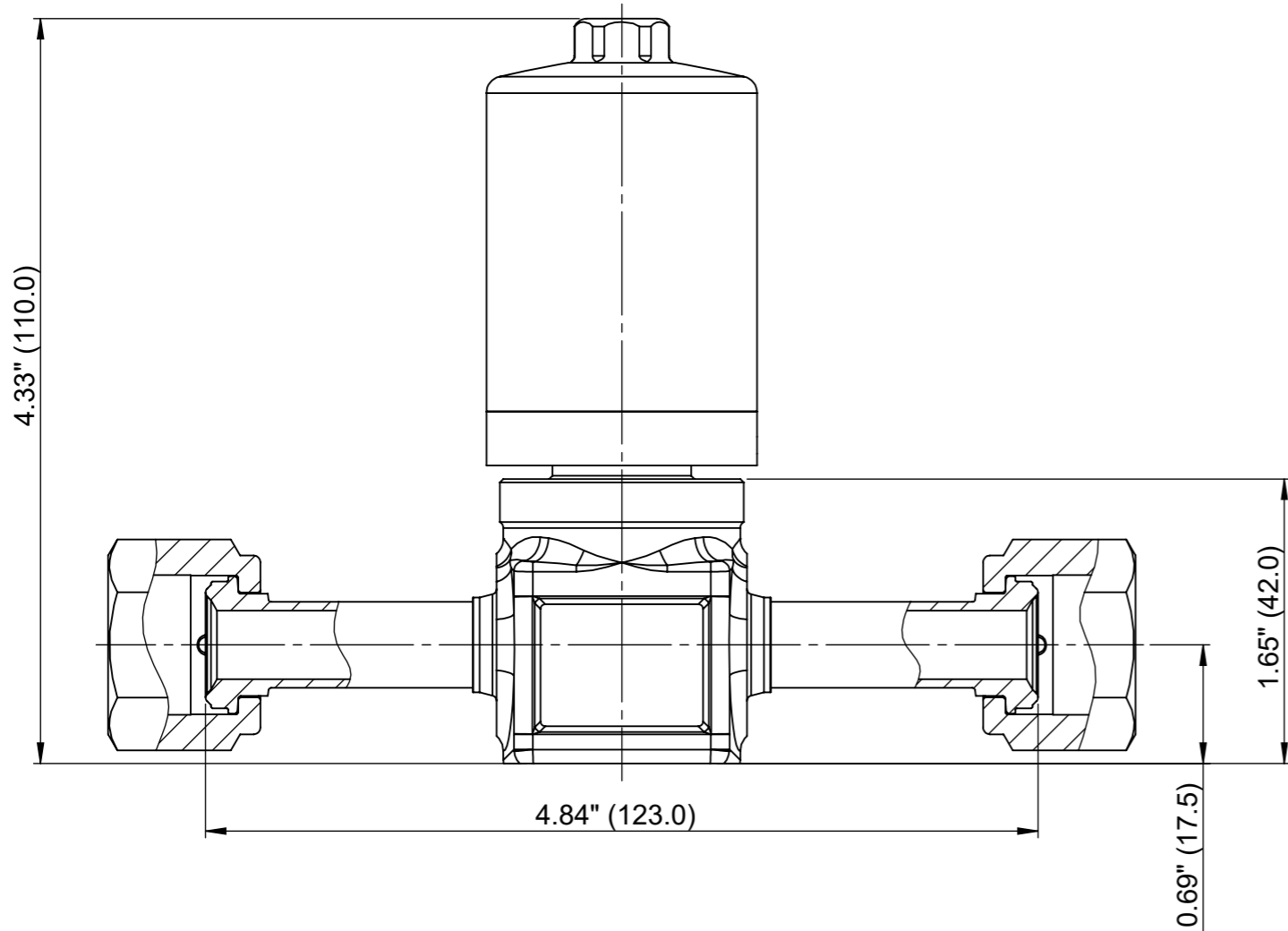
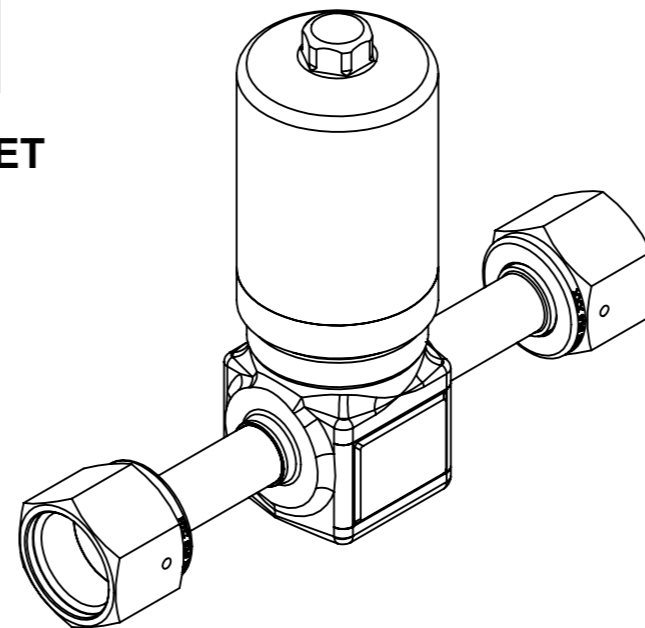
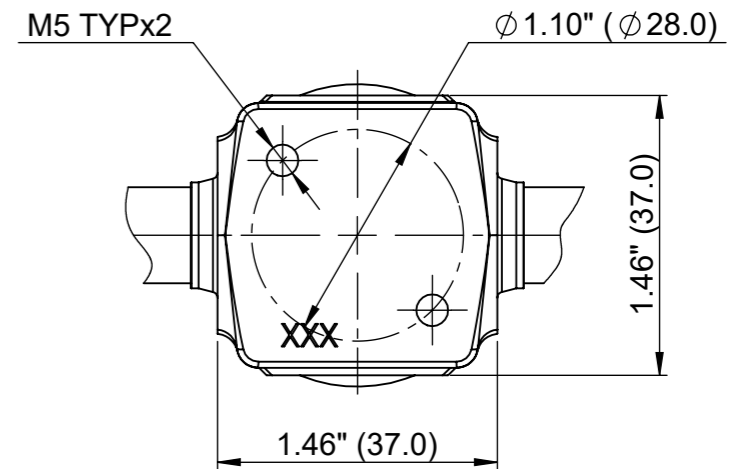


THIS DRAWING AND INFORMATION INCLUDED, ARE THE CONFIDENTIAL PROPERTY OF HAM-LET LTD AND ARE LOANED TO YOU FOR A LIMITED PURPOSE. NEITHER BE COPIED EXHIBED OR FURNISHED TO OTHERS IN ANY FORM WITHOUT THE WRITTEN CONSENT OF HAM-LET LTD.



| VALVE TECHNICAL SPECIFICATION |  |
|-------------------------------|--|
| VALVE SIZE                    | 1/2 INCH   |
| END CONNECTION                | SWIVEL FEMALE FACE-SEAL 1/2"                               |
| OPERATING WORKING PRESSURE    | VACUUM TO 3060 PSI (210 BAR)                               |
| OPERATING TEMPERATURE         | 14 TO 104 °F (-10 TO 40 °C)                                |
| HE LEAKAGE (INBOARD)          | <math>3 \times 10^{-12}</math> Pa·m <sup>3</sup> /Sec (He) |
| HE LEAKAGE (ACROSS SEAT)      | <math>3 \times 10^{-10}</math> Pa·m <sup>3</sup> /Sec (He) |
| OPERATED                      | PNEUMATIC NORMALLY CLOSED (N.C.)                           |
| Cv VALUE                      | 0.27   |
| SURFACE FINISH Ra (Ave)       | 5 µinch  |
| VALVE TYPE AND DESIGNATOR     | TWO PORT, DESIGNATOR 0                                     |
| VALVE ASSEMBLED AND TESTED    | CLEAN ROOM CLASS 10  |
| AIR CONNECTION                | 1/8" BSPT  |
| ACTUATOR AIR SUPPLY PRESSURE  | 60 TO 90 PSI (4 TO 6 BAR)                                  |



### CUSTOMER APPROVAL

Company: \_\_\_\_\_  
 Name : \_\_\_\_\_  
 Position : \_\_\_\_\_  
 Signature : \_\_\_\_\_  
 Date : \_\_\_\_\_

|   |                           |   |                 |
|---|---------------------------|---|-----------------|
| <b>HAM-LET</b><br>Advanced Control Technology |                           | HAM-LET GROUP P.O.BOX 824<br>Nazareth Illit, 17000 Israel<br>mail@ham-let.co.il |                 |
|   |                           | FIRST ANGLE PROJECTION<br>  |                 |
| Approvals                                     |                           | Prod. Name: <b>CUSTOMER DRAWING</b>   |                 |
| Drawn<br>Name: S.S.                           | Engineering<br>Name: S.K. | Description:<br><b>2LSS8C-FV-L123</b>   |                 |
| Sign:<br>Date: 07/03/2017                     | Sign:<br>Date: 07/03/2017 | Part No:  |                 |
| Not for scale                                 |                           | Rev: Draft  | Sheet<br>1 OF 1 |