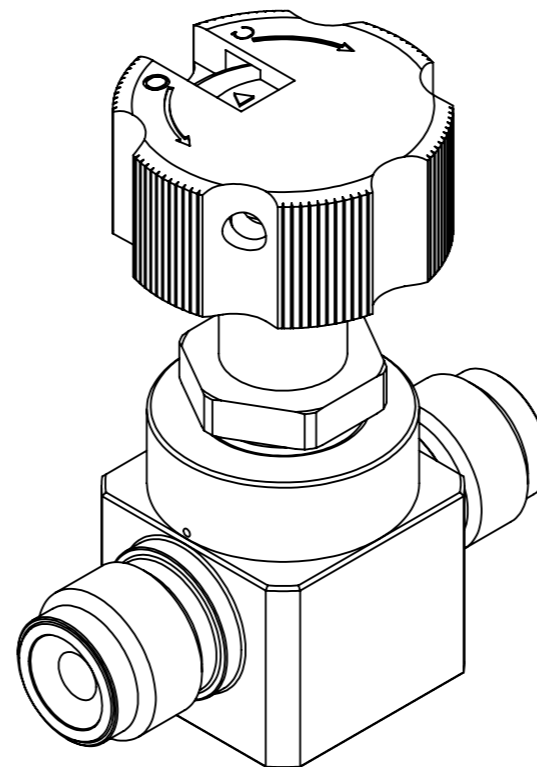
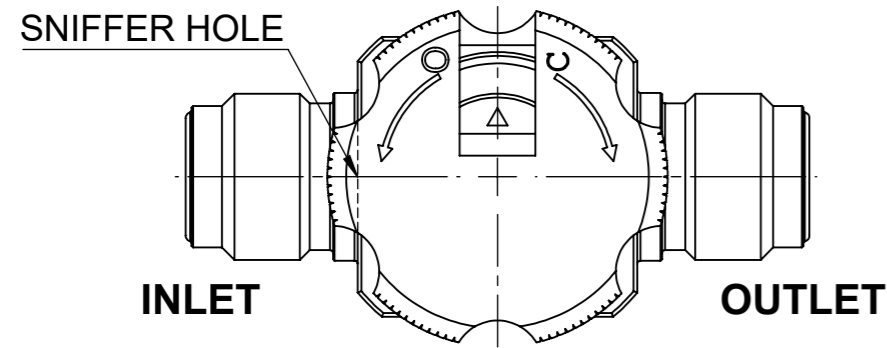
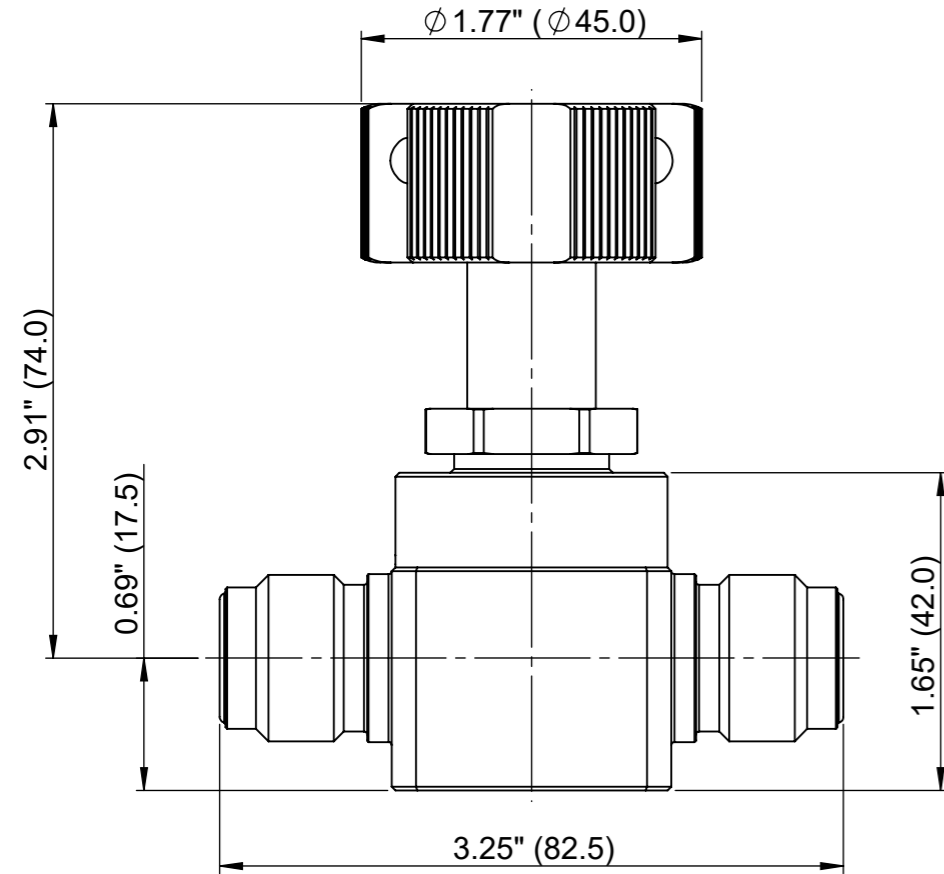
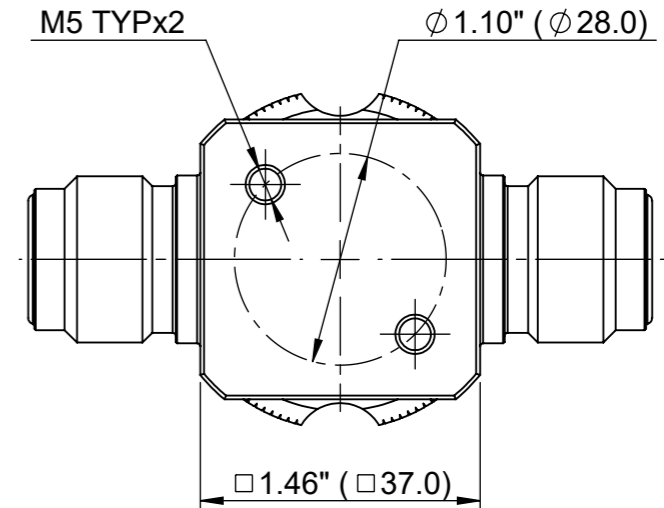


THIS DRAWING AND INFORMATION INCLUDED, ARE THE CONFIDENTIAL PROPERTY OF HAM-LET LTD AND ARE LOANED TO YOU FOR A LIMITED PURPOSE. NEITHER BE COPIED EXHIBITED OR FURNISHED TO OTHERS IN ANY FORM WITHOUT THE WRITTEN CONSENT OF HAM-LET LTD.



| VALVE TECHNICAL SPECIFICATION | |
|-------------------------------|------------------------------------------------------------|
| VALVE SIZE | 1/2 INCH |
| END CONNECTION | MALE FACE-SEAL 1/2" |
| OPERATING WORKING PRESSURE | VACUUM TO 3060 PSI (210 BAR) |
| OPERATING TEMPERATURE | 14 TO 104 °F (-10 TO 40 °C) |
| HE LEAKAGE (INBOARD) | 3×10^{-12} Pa·m ³ /Sec (He) |
| HE LEAKAGE (ACROSS SEAT) | 3×10^{-10} Pa·m ³ /Sec (He) |
| OPERATED | MANUALLY-ROUND HANDLE 3/4 TURN |
| Cv VALUE | 0.27 |
| SURFACE FINISH Ra (Ave) | 5 µinch |
| VALVE TYPE AND DESIGNATOR | TWO PORT, DESIGNATOR 0 |
| VALVE ASSEMBLED AND TESTED | CLEAN ROOM CLASS 10 |




CUSTOMER APPROVAL

Company: _____
 Name : _____
 Position : _____
 Signature : _____
 Date : _____

FIRST ANGLE PROJECTION



| | | | |
|-------------------------------------------------------------------------------------------------------------------------------------|---------------------------|---------------------------------------------------------------------------------|-------------------------------|
|  HAM-LET Advanced Control Technology | | HAM-LET GROUP P.O.BOX 824 Nazareth Illit, 17000 Israel mail@ham-let.co.il | |
| | | Prod. Name: CUSTOMER DRAWING | |
| Approvals | | Description: 2LSS8R-BV-L82.5-RE | |
| Drawn Name: S.S. | Engineering Name: S.K. | Part No: | |
| Sign: Date: 02/07/2017 | Sign: Date: 02/07/2017 | Not for scale | Rev: Draft Sheet 1 OF 1 |