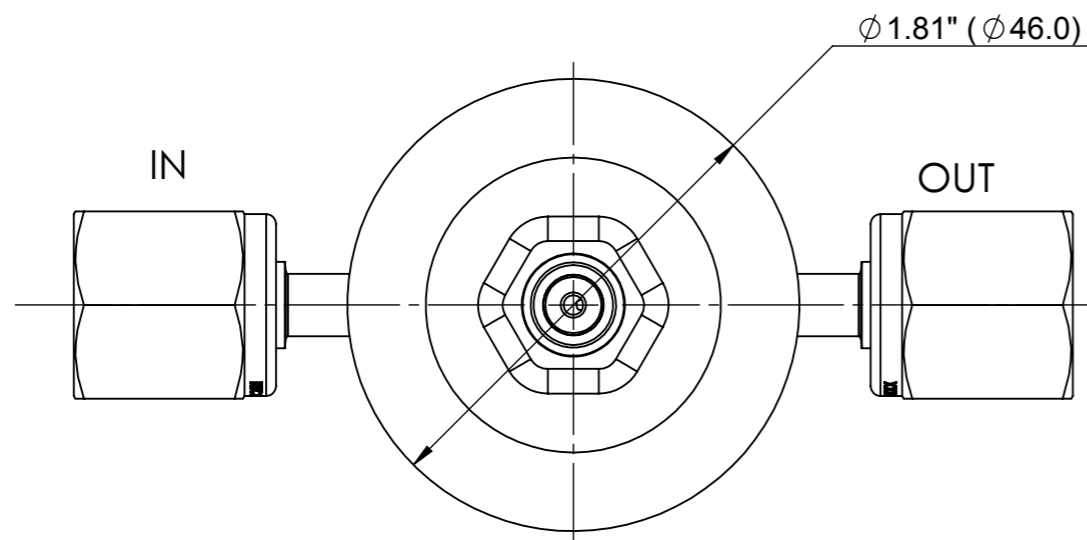
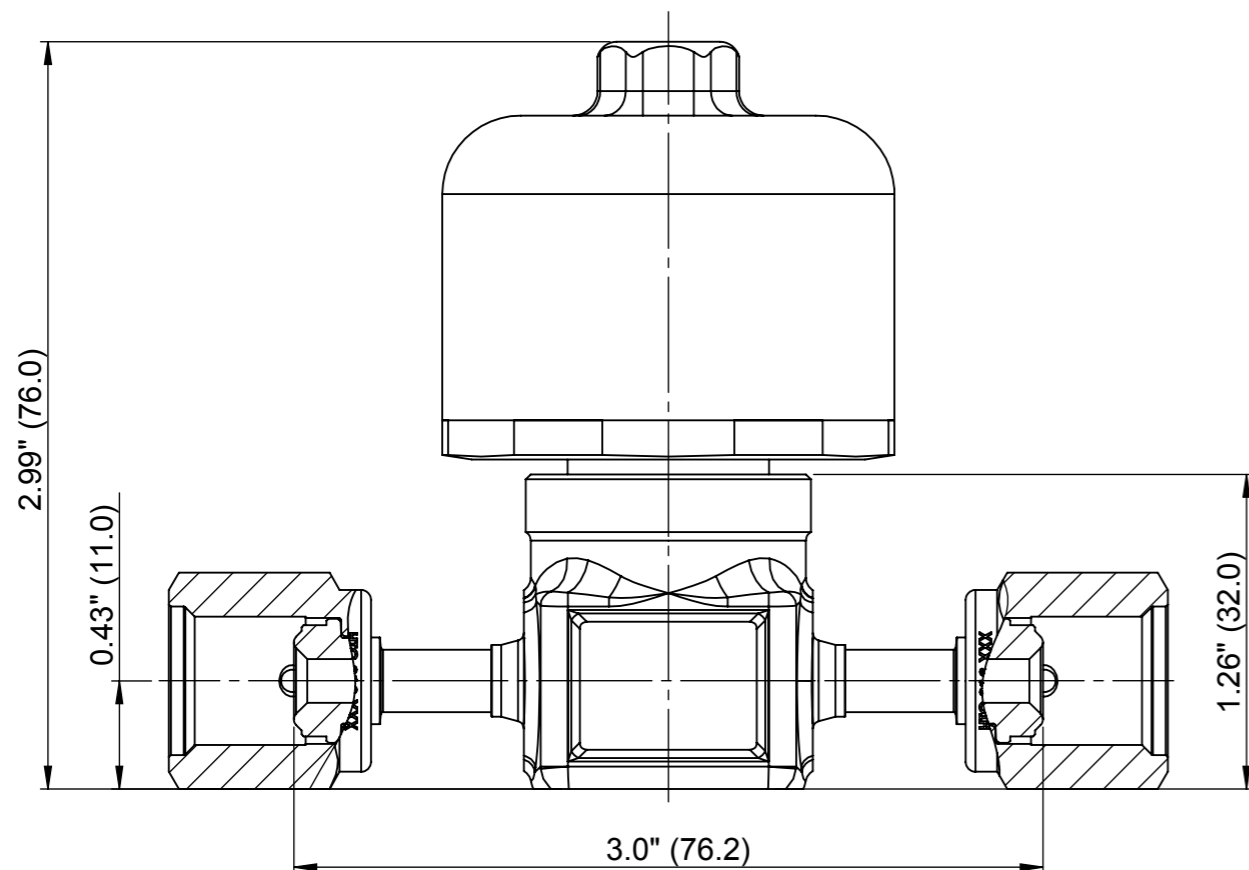
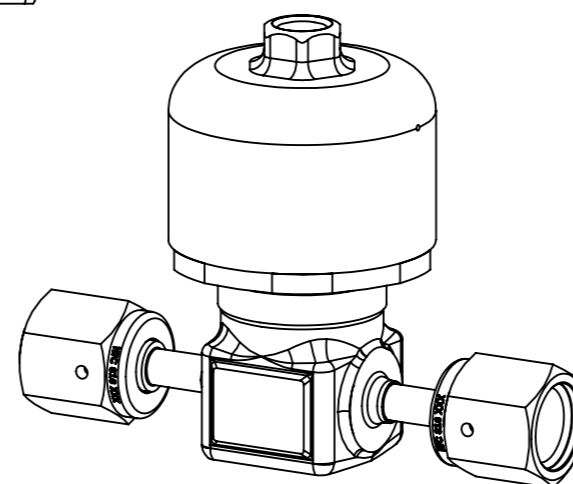
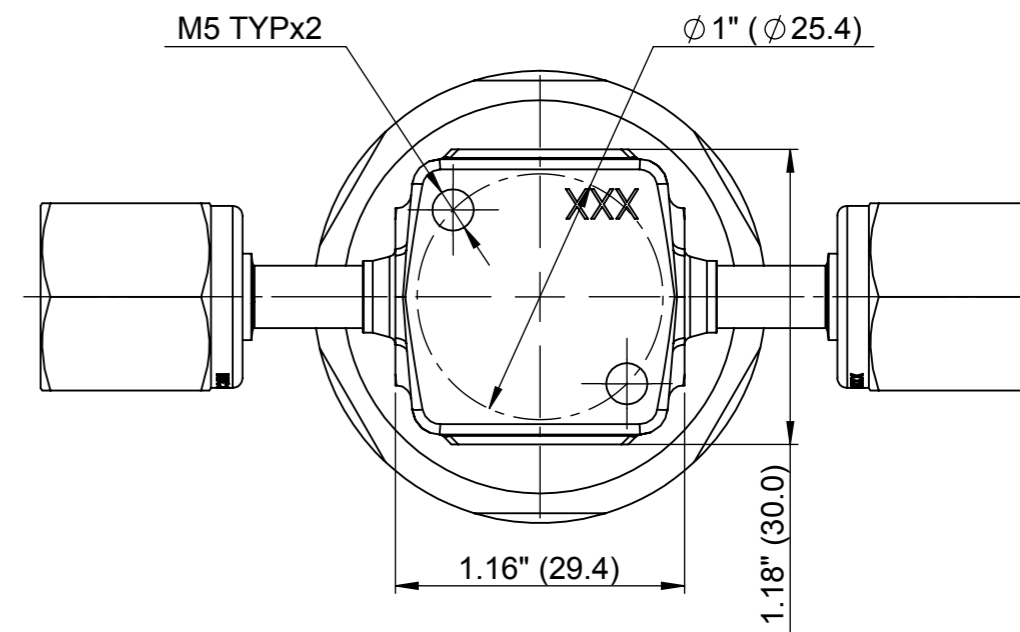


THIS DRAWING AND INFORMATION INCLUDED, ARE THE CONFIDENTIAL PROPERTY OF HAM-LET LTD AND ARE LOANED TO YOU FOR A LIMITED PURPOSE. NEITHER BE COPIED EXHIBITED OR FURNISHED TO OTHERS IN ANY FORM WITHOUT THE WRITTEN CONSENT OF HAM-LET LTD.



VALVE TECHNICAL SPECIFICATION	
VALVE SIZE	1/4 INCH
END CONNECTION	SWIVEL FEMALE FACE-SEAL 1/4"
OPERATING WORKING PRESSURE	VACUUM TO 150 PSI (10 BAR)
OPERATING TEMPERATURE	14 TO 140 °F (-10 TO 60 °C)
HE LEAKAGE (INBOARD)	$<3 \times 10^{-12} \text{ Pa} \cdot \text{m}^3 / \text{Sec} (\text{He})$
HE LEAKAGE (ACROSS SEAT)	NON TESTED
OPERATED	PNEUMATIC NORMALLY OPEN (N.C.)
Cv VALUE	0.3
SURFACE FINISH Ra (Ave)	5 $\mu$ inch
VALVE TYPE AND DESIGNATOR	TWO PORT, DESIGNATOR 0
VALVE ASSEMBLED AND TESTED	CLEAN ROOM CLASS 10
AIR CONNECTION	1/8" BSPT
ACTUATOR AIR SUPPLY PRESSURE	60 TO 90 PSI (4 TO 6 BAR)



### CUSTOMER APPROVAL

Company: \_\_\_\_\_  
 Name : \_\_\_\_\_  
 Position : \_\_\_\_\_  
 Signature : \_\_\_\_\_  
 Date : \_\_\_\_\_

		HAM-LET GROUP P.O.BOX 824 Nazareth Illit, 17000 Israel mail@ham-let.co.il	
		Prod. Name: <b>CUSTOMER DRAWING</b>	
Approvals		Description: <b>EV4C-FV-EP-OR03-L76.2</b>	
Drawn Name: S.S.	Engineering Name: M.M.	Part No:	
Sign:	Sign:	Not for scale	
Date: 20/06/2013	Date: 20/06/2013	Rev: Draft	Sheet 1 OF 1