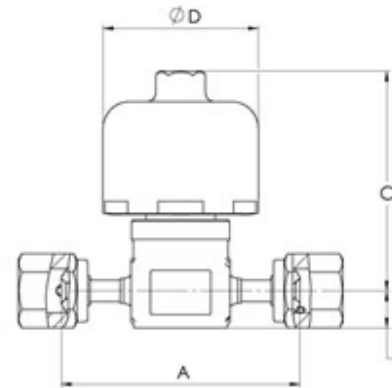
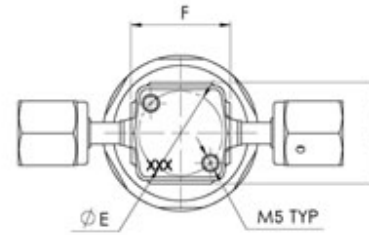


Product Code:	C
Product Name:	EVZ - Low Temp. Med Flow UCV
Catalog Number:	2503399
Actuation:	Actuator
Body Size:	1/4"
Connection Type:	Swivel Female Face Seal
Connection Size:	1/4"
Body Material:	Forged SS 316L
Max Pressure:	150 psi (1 MPa)
Seat Type:	PCTFE
Temperature Range:	-10°C to 80°C
Leak Rate - Inboard:	$\leq 3 \cdot 10^{-12}$ Pa · m ³ /sec (He)
Leak Rate - Across Seat:	$\leq 3 \cdot 10^{-10}$ Pa · m ³ /sec (He)
CV:	0.27
Actuator Type:	Normally Close
Actuation Pressure:	60 to 90 psi (4 to 6 bar)



Param	inch	mm
A	2.78	70.6
B	0.43	11
C	2.56	65
D	1.81	46
E	0.98	25
F	1.16	29.4
J	1.18	30

THIS DRAWING AND INFORMATION INCLUDED, ARE CONFIDENTIAL PROPERTY OF HAM-LET LTD AND ARE LOANED TO YOU FOR A LIMITED PURPOSE. NEITHER TO BE COPIED EXHIBITED OR FURNISHED TO OTHERS IN ANY FORM WITHOUT THE WRITTEN CONSENT OF HAM-LET LTD.



HAM-LET GROUP LTD
info@ham-let.com

Part No. EVZS4CFV

GAL No. 0

EVZ Series, Low Pressure HP Actuated Valve, Swivel Female Face Seal 1/4"