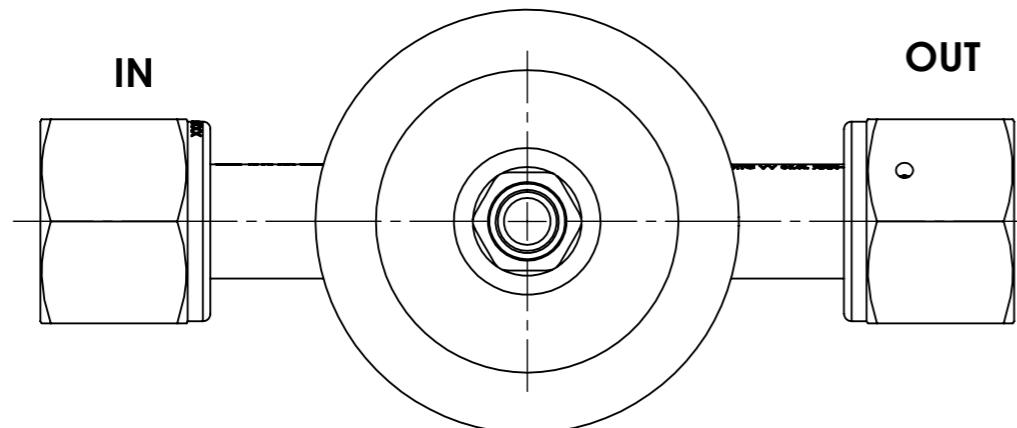
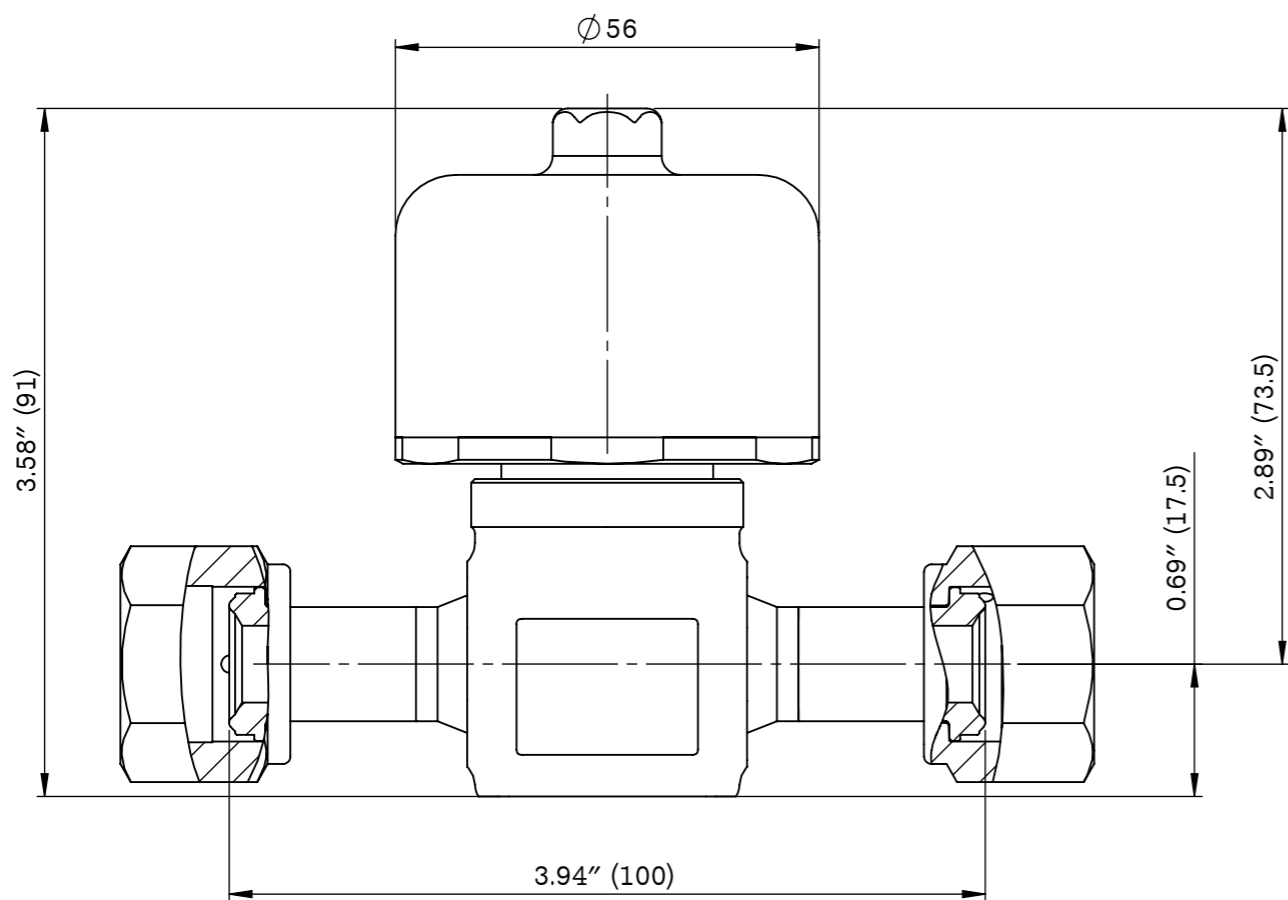
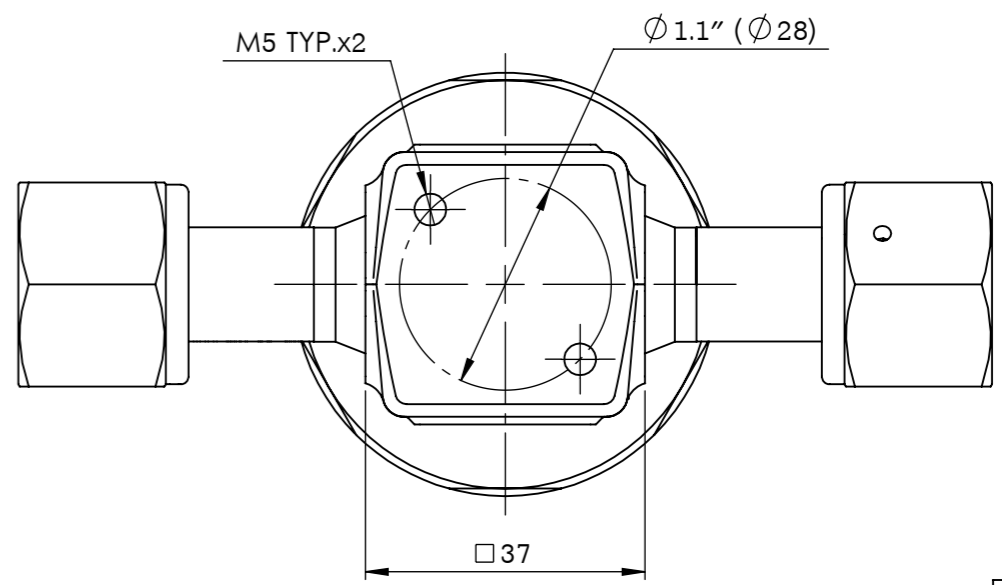


THIS DRAWING AND INFORMATION INCLUDED, ARE THE CONFIDENTIAL PROPERTY OF HAM-LET LTD AND ARE LOANED TO YOU FOR A LIMITED PURPOSE. NEITHER BE COPIED EXHIBITED OR FURNISHED TO OTHERS IN ANY FORM WITHOUT THE WRITTEN CONSENT OF HAM-LET LTD.




VALVE TECHNICAL SPECIFICATION	
VALVE SIZE	1/2 INCH
END CONNECTION	SWIVEL FEMALE FACE-SEAL 1/2
OPERATING WORKING PRESSURE	VACUUM TO 150 PSI (10 BAR)
OPERATING TEMPERATURE	14 TO 176 °F (-10 TO 80 °C)
HE LEAKAGE (INBOARD)	$<3 \times 10^{-12} \text{ Pa} \times \text{m}^3 / \text{Sec ( He)}$
HE LEAKAGE (ACROSS SEAT)	$<3 \times 10^{-10} \text{ Pa} \times \text{m}^3 / \text{Sec ( He)}$
OPERATED	PNEUMATIC NORMALLY CLOSED (N.C.)
Cv VALUE	0.65
SURFACE FINISH Ra (Ave)	5 $\mu\text{inch}$
VALVE TYPE AND DESIGNATOR	TWO PORT, DESIGNATOR 0
VALVE ASSEMBLED AND TESTED	CLEAN ROOM CLASS 10
AIR CONNECTION	1/8" NPT
ACTUATOR AIR SUPPLY PRESSURE	60 TO 90 PSI (4 TO 6 BAR)



FIRST ANGLE PROJECTION

### CUSTOMER APPROVAL

Company: \_\_\_\_\_  
 Name : \_\_\_\_\_  
 Position : \_\_\_\_\_  
 Signature : \_\_\_\_\_  
 Date : \_\_\_\_\_

 <b>HAM-LET</b> Advanced Control Technology		HAM-LET GROUP P.O.BOX 824 Nazareth Illit, 17000 Israel mail@ham-let.co.il	
Approvals		Prod. Name: <b>CUSTOMER DRAWING</b>	
Drawn	Engineering	Description: <b>EVZS8C-FV</b>	
Name: V. S.	Name: B.M.	Part No:	
Sign:	Sign:	Not for scale	
Date: 04/08/2011	Date: 04/08/2011	Rev: Draft	Sheet 1 OF 1